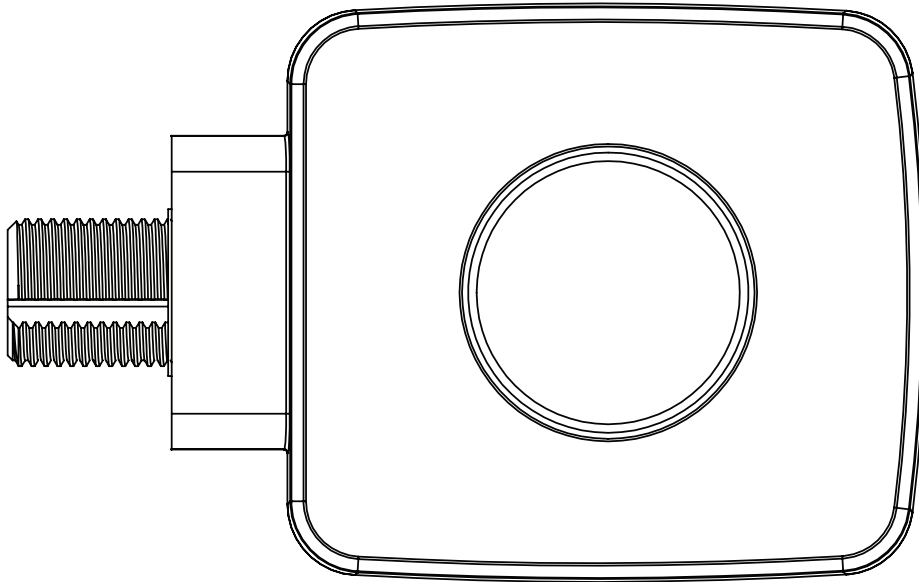


Douglas Lighting Controls Bluetooth® Fixture Controller & Sensor

BT-FMS-A



Installation Manual

*Patent Pending

WARNING!

SYSTEM MUST BE INSTALLED IN ACCORDANCE WITH LOCAL AND NATIONAL ELECTRICAL CODES

For use in wet/damp locations.

Risk of Electric Shock. All servicing should be performed by qualified service personnel. To reduce the risks of electric shock disconnect power supplies before servicing.

Be aware that Line Voltage Connections may be 120VAC or 277VAC or 347VAC

IMPORTANT SAFEGUARDS

- READ AND FOLLOW ALL SAFETY INSTRUCTIONS.
- Do not mount near gas or electric heaters.
- Equipment should be mounted in locations and at heights where it will not readily be subjected to tampering by unauthorized personnel.
- The use of accessory equipment not recommended by the manufacturer may cause an unsafe condition.
- Do not use this equipment for other than intended use
 - Wireless devices are only for lighting control
 - Wireless controls cannot be used with portable heating appliances
- Insulate unused leads individually

SAVE THESE INSTRUCTIONS

Table of Contents

1.	INTRODUCTION	Page 4
1.1.	GENERAL DESCRIPTION	Page 4
2.	DESIGN FEATURES	Page 4
3.	SPECIFICATIONS	Page 5
	MOUNTING	Page 5
	POWER	Page 5
	LOAD RATINGS	Page 5
	WIRELESS RANGE	Page 5
	OPERATING ENVIRONMENT	Page 5
	APPROVALS:	Page 5
	WARRANTY	Page 5
4.	DIMENSIONS	Page 6
5.	COVERAGE	Page 7
6.	INSTALLATION FEATURES	Page 7
7.	INSTALLATION / WIRING	Page 7
8.	SYSTEM LAYOUT & DESIGN	Page 9

1. INTRODUCTION

1.1. General Description

The Douglas Lighting Controls **Bluetooth**® Fixture Controller & Sensor (FMS) provides automated individual and group control of light fixtures using onboard sensors and Bluetooth technology. It is easily installed for ON/OFF or bi-level light functionality. The daylight sensor provides additional energy savings by dimming the lights when natural daylight is available in open-sided parking garages or from windows.

Configuration of the Douglas Lighting Controls Fixture Controller & Sensor is done conveniently at deck level with our Smartphone App using the Bluetooth protocol to communicate with the device. A wireless mesh network is created between devices for control over a group of Douglas Lighting Controls Bluetooth equipment.

The BT-FMS-A has a maximum vertical range of 40 feet and is powered from the fixture. It is tested to applicable UL and CSA standards and enables users to meet ASHRAE 90.1 and Title 24 energy code requirements. After configuring the devices, the system will automatically operate to control lighting based on occupancy in the area and the system settings.

Typical Applications: Parking Garages, Warehouses, Manufacturing Facilities.

NOTE: The instructions in this manual apply to version v1.20 and higher. This version of the FMS is part of the Douglas Bluetooth ecosystem and can be integrated into projects using switches and other Douglas BT devices. The version number is provided as the top line of the FMS configuration screen, which is described in the following pages.

Prior versions of the FMS were not suitable for integration with other Douglas BT components and are not addressed in this manual.

2. DESIGN FEATURES

- Bluetooth Wireless Technology
- Occupancy sensor
- Daylight sensor
- Relay
- 360° coverage pattern
- Water-tight/waterproof design (IP65)
- 0-10V dimming, daylight harvesting, bi-level set-points, ON/OFF
- Deck level system set-up using iOS smartphone app

3. SPECIFICATIONS

Mounting

- The device is designed to be mounted to a listed enclosure

Wireless Range

- 150' Clear line of site. 50' through standard walls (distances may vary based on location and environment. Additional devices may be required at time of system set-up to ensure Bluetooth® network integrity.)

Input Voltage

- 120/277/347VAC; 60Hz

Load Ratings

- 800W @ 120VAC standard ballast
- 1200W @ 277VAC standard ballast
- 3300W @ 277VAC electronic ballast
- 1500W @ 347VAC standard ballast

Dimming Control

- 0-10V analog dimming, 25mA sinking capable

Operating Environment

- Outdoor use, Ingress Protection Rating: IP65
- Operating temperature: -40°F to 131°F (-40°C to 55°C)
- Storage temperature: -40°F to 140°F (-40°C to 60°C)

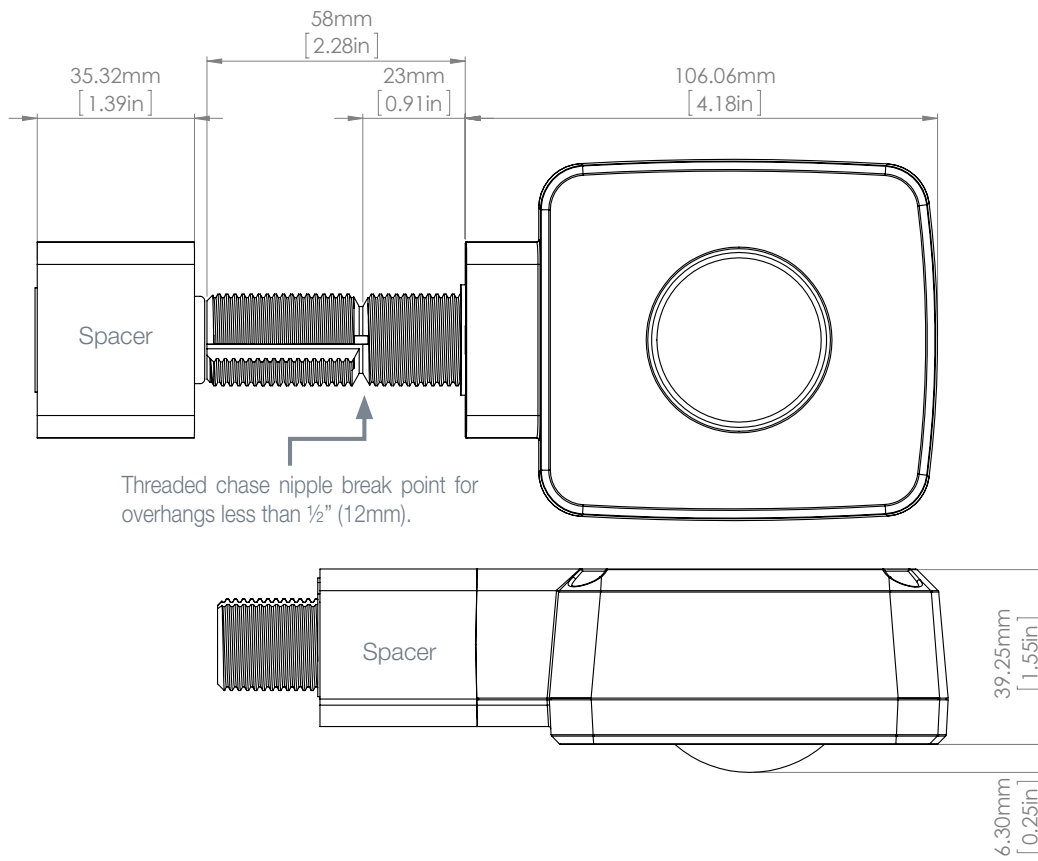
Approvals:

- ETL Listed
 - Certified to CAN/CSA Std. C22.2 No. 14
 - Conforms to UL 508 Standard
- Meets ASHRAE Standard 90.1 requirements
- Meets CEC Title 24 requirements
- Contains IC: 8254A-B1010SP0
- Contains FCC ID: W7Z-B1010SP0

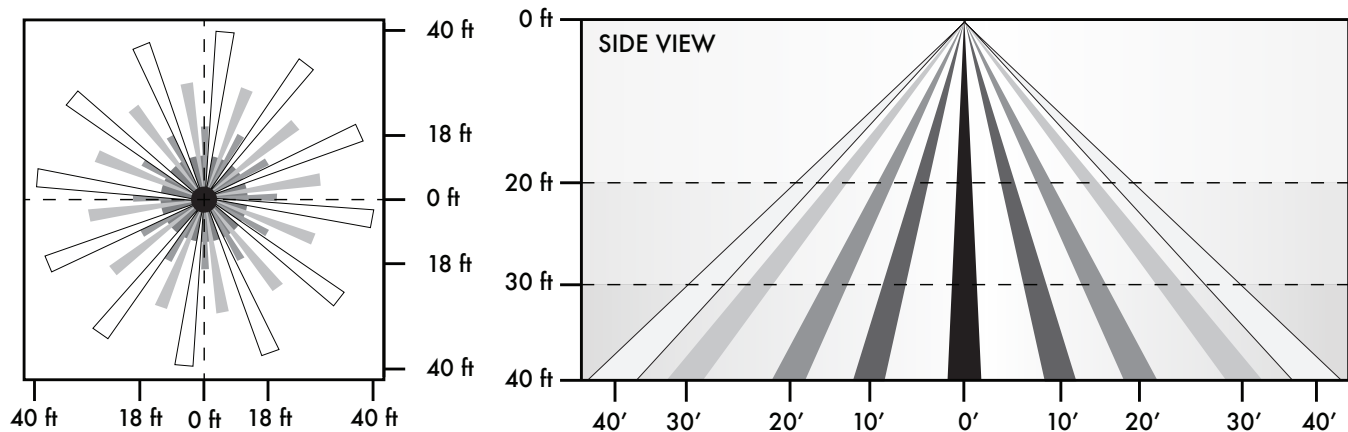
Warranty

- Standard 1-year warranty – see Douglas Lighting Controls' warranty policy for complete details

4. DIMENSIONS



5. COVERAGE



6. INSTALLATION FEATURES

The device is designed to be mounted into a 1/2" knockout in a listed light fixture or electrical junction box or panel with an opening that can fit the threaded chase nipple.

- Thoughtful design to maximize sensor coverage range
- Bluetooth enabled for deck level configuration and wireless mesh networking

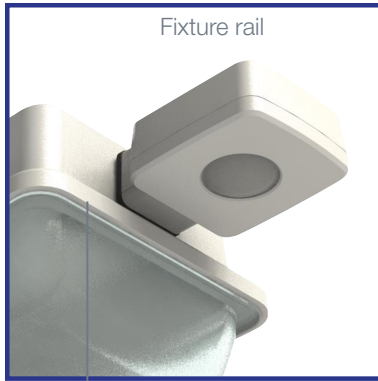
7. INSTALLATION / WIRING

⚠ CAUTION ⚠

Risk of Electric Shock. All servicing should be performed by qualified service personnel. To reduce the risks of electric shock disconnect power connections before servicing.

- Douglas Lighting Controls Bluetooth Fixture Controller & Sensor mounts directly into a standard 1/2" knockout
- If fixture overhang is greater than 1/2" then use full length chase nipple and spacer. For overhang less than 1/2" the chase nipple length can be reduced by using needle nose pliers to snap the extension at the break point (see diagram on next page).
- Install device into position (use spacer if fixture overhang is greater than 1/2")
- For installation with field installed conductors of 60°C minimum rating.
- The following wire connections are provided:
 - 0-10V connection (violet / grey): #20AWG
 - Line Voltage/Relay connection (black / white / red): #14AWG
- Connect wires as shown on diagram
- Use appropriate sized wire-nuts to connect field installed conductors
- System programming and configuration > see System Set-up section

7. INSTALLATION / WIRING

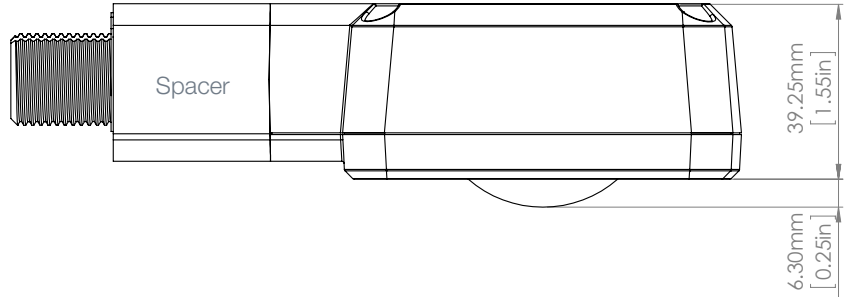
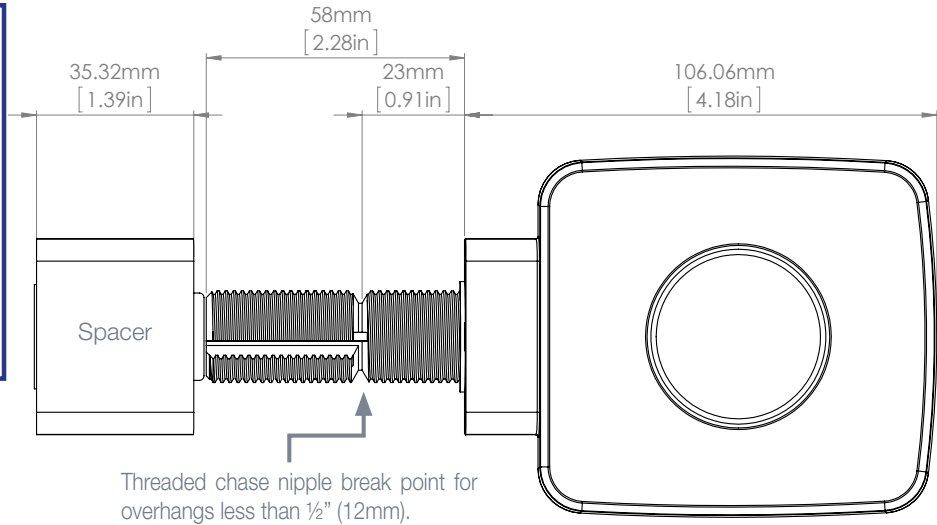


Fixture rail

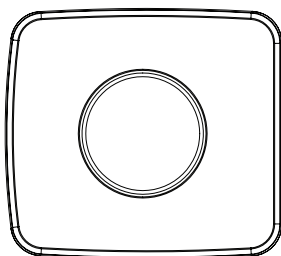


Mounting

Use Spacer and full length threaded chase nipple for fixture rail overhang greater than 1/2" (12mm).



Wiring



- Red – relay/load
 - Black – hot/line
 - White – neutral
 - Pink**
 - Violet
- 0-10V dimming

** This wire/terminal may be gray on older products or in retrofit applications. The 2020 edition of the NEC prohibits field-connected control wires from being gray to avoid confusion with gray 277V neutral wires. Effective January 1, 2022, 0-10V signal wires will use purple and pink insulation.

8. SYSTEM LAYOUT & DESIGN

Before You Start

- A best practise is to use a dedicated iPod or iPhone as the project's system set-up device rather than a personal smartphone as the system settings stay with the Apple ID.
- When setting up the iOS device Apple ID, iCloud account, and network access, chose names carefully, record accurately, and store in a reliable location.
- Once a Fixture Controller & Sensor has been added to a network (associated), do not remove (disassociate) it before ensuring it is connected to, and communicating with, the system set-up device.

System Set-Up Overview

The system set-up device

Each lighting control installation requires an iOS device and an iCloud account to be used for system set-up and storing system parameters. Acceptable devices include:

- iPod Gen 6 or newer and iOS 10.x or higher
- iPhone 6 or newer and iOS 10.x or higher

Douglas Lighting Controls recommends using a project-dedicated device, not one which is used for personal and/or other company data and communications. Details on iCloud accounts, including instructions for setup, can be found at www.apple.com/icloud.

An iOS device with iCloud account is needed to download the App and to back up the system parameters on iCloud. Each iCloud account can have only one instance of the App, and the App can create and maintain only one database. A database stores the system parameters. The database is identified by the *Network Key* and accessed using the *Admin Password* (both values are entered during system set-up).

Description of the system set-up process

After an iOS device is configured with an iCloud account and the App downloaded, the system set-up process can begin. First, system parameters are entered. These include:

- Site Name
- Network Key
- Admin Password

Record this information accurately and store in a reliable location. These parameters are critical to accessing the system. A good method for recording this information is screen capture the network setup page. To take a screen shot, press and hold the ON/OFF button, then momentarily press the Home button. The screen capture will be saved as an image accessible via the Photos icon. The screen capture can then be emailed to a few people for recovery purposes. Again, it is very important to keep track of this data and of the iOS device itself.

After the system network parameters are established, typical system set-up steps will be:

- Finding unassociated Douglas Lighting Controls Bluetooth devices
- Associating an FMS to the Network
- Creating "rooms" for the project
- Completing the FMS setup
- Adding and setting up additional BT-FMS-A and other Douglas Lighting Controls Bluetooth devices

8. SYSTEM LAYOUT & DESIGN

Spatial organization

A Douglas Lighting Controls Bluetooth wireless network can have multiple rooms and each room can have up to eight lighting zones. Rooms and Zones are defined in the system set-up. Review your floor plans to find, and if needed, develop a room and zone plan

Settings

- Occupancy control parameters are configured at the room level and apply to all Bluetooth devices in the room.
- Minimum and maximum dimming boundaries (high and low trim) are set at the zone level and apply to all devices in the zone.
- Zone assignments and daylighting control parameters (if used) are set at the FMS level and are similar to those for the BT-IFS-A. Refer to the BT-APP manual for further instruction on these settings.
- In addition, daylight settings can be set to “Self” for localized Daylight Harvesting.
- **Instant On** is a unique feature of the FMS.

When disabled, the FMS interacts with other elements of the Bluetooth network much like the BT-IFS-A. For example, it will permit manual override to OFF with a BT switch.

When enabled this feature will prioritize the FMS’ local occupancy control over commands coming from the BT network. That is, occupancy detection will force turn ON, even when external commands request turn OFF.

Device compatibility

The instructions in this manual apply to version 1.2 and higher. This version of the BT-FMS-A is part of the Douglas Bluetooth ecosystem and can be integrated into projects using switches and other Douglas BT devices. The version number is provided as the top line of the FMS configuration screen, which is described in the following pages.

Prior versions of the FMS were not suitable for integration with other Douglas BT components and are not addressed in this manual.

Preparation for a system set-up project

System set-up will progress quickly with up-front planning. Creating a plan for how to name and configure each device will save time and provide useful elements for documenting the project at its conclusion. A simple example is outlined in the three figures below.

8. SYSTEM LAYOUT & DESIGN

Fig. 1 One level of a small, multi-level parking garage having 12 luminaires positioned over two drive lanes. Each luminaire is equipped with an FMS. This level has an open wall section (a daylighting opportunity) on the far right and a pedestrian access point (elevator) on the far left.

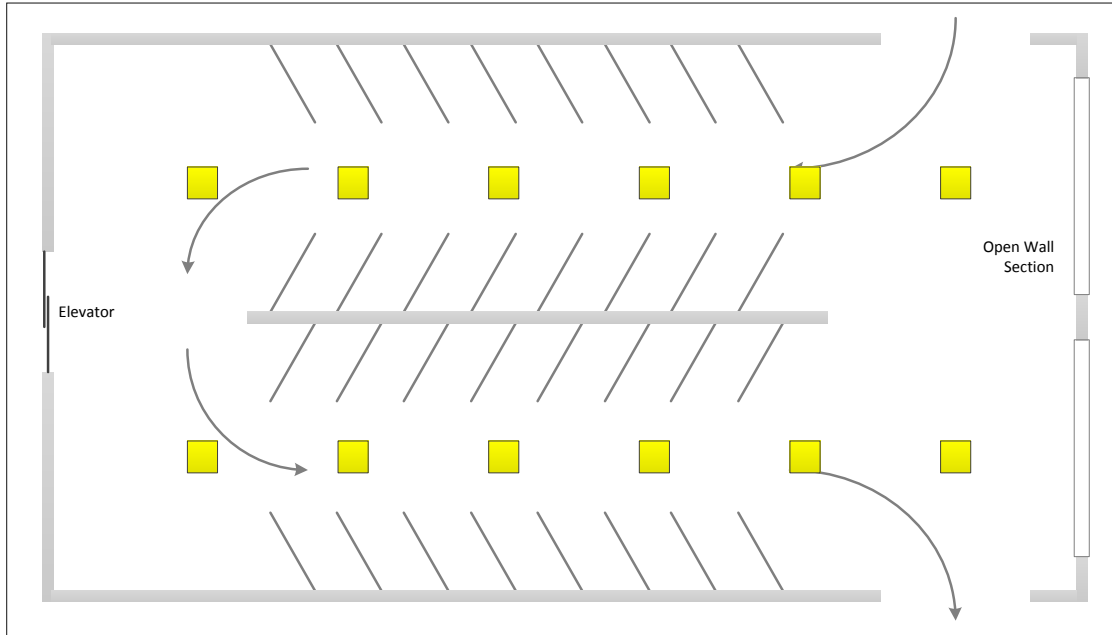
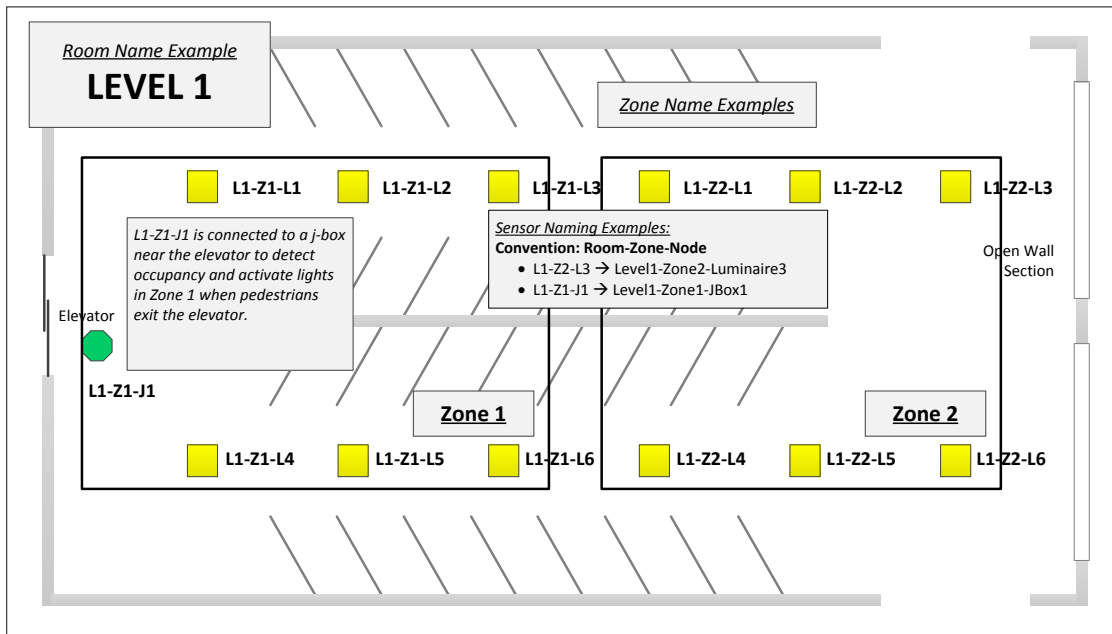
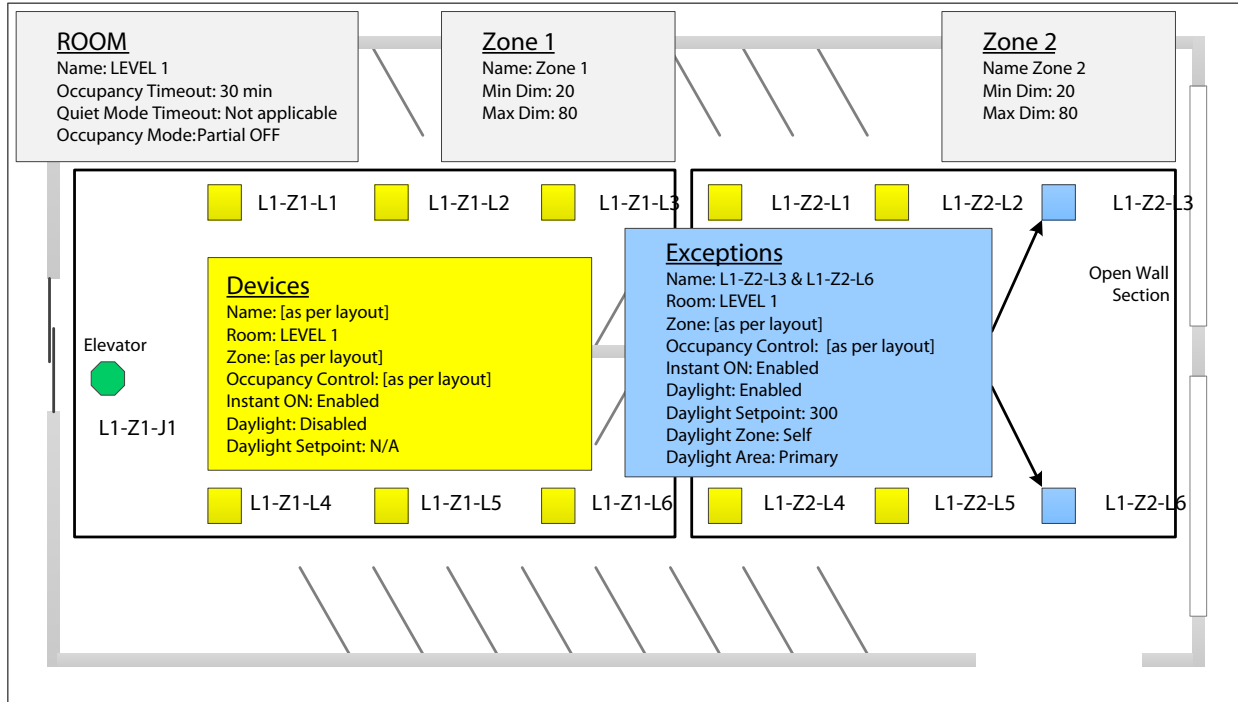


Fig. 2 Shows FMS naming assignments for a ROOM (Level 1) with two zones: Zone 1 on the left and Zone 2 on the right. Naming for each FMS using room, zone, and local information is also shown. An additional FMS is located on a junction box near the pedestrian (elevator) access point.



8. SYSTEM LAYOUT & DESIGN

Fig. 3 Shows system set-up for the room, both zones and each of the (13) BT-FMS-A devices.





DOUGLAS

LIGHTING CONTROLS

toll free: 877-873-2797
direct: 604-873-2797
lighting@douglaslightingcontrols.com
www.douglaslightingcontrols.com

Your Douglas Lighting Controls representative:



The **Bluetooth**® word mark and logos are registered trademarks owned by the Bluetooth SIG, Inc. and any use of such marks by Douglas Lighting Controls is under license. Other trademarks and trade names are those of their respective owners.

LIT#: BT-FMS-AFC&SM021721