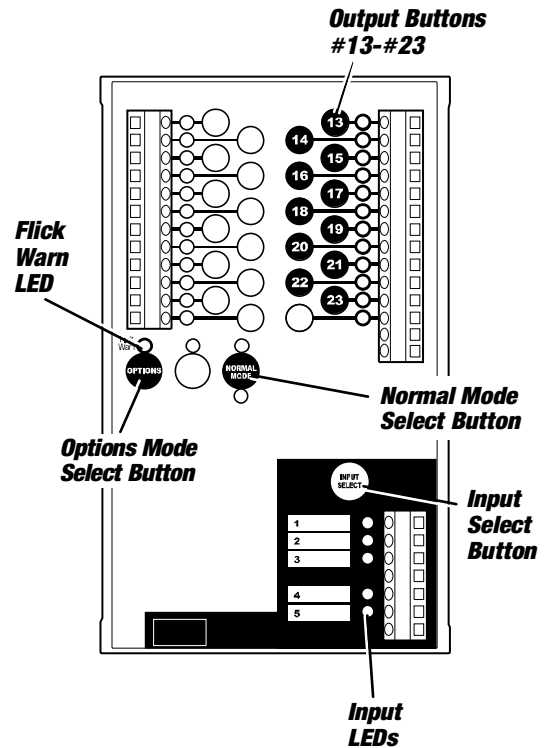


CONFIGURING WRS-2224 INPUTS FOR DIFFERENT SWITCH TYPES

The default switch type for all inputs is the Douglas WR-8501 with Led Indicators. This configuration is compatible with all models of Douglas relay switches, relay time clocks and photo cells and no re-configuration is necessary for those devices.

if you will be connecting any different switch type(s) to an input, however, you must configure the input. To do so, follow this procedure:

1. Make sure NORMAL MODE is selected. Its indicator light should be ON.
 2. Use the INPUT SELECT BUTTON to scroll to the group input #1-5 you wish to configure (when its indicator LED is ON).
 3. Press and hold the OPTIONS MODE select button. The FLICK WARN LED will begin flashing.
 4. One of the LEDs #13-23 will display, showing the current configuration selected for the input. Refer to the table below for a list of all available configurations. The factory default is #21, the Douglas WR-8501 LED indicator rectified AC pulse switch.
 5. Depress the OUTPUT SELECT BUTTON(S) (#13-23) to select the desired configuration(s) for the input.
- You have 10 seconds to do this. After 10 seconds, the FLICK WARN LED stops flashing and the scanner reverts to NORMAL mode.
6. Repeat steps 2-5 to configure other group inputs.



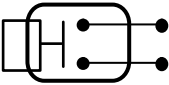
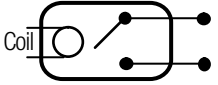
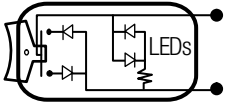
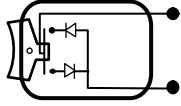
Output Button Pressed	Switch Type Configured for	Action
13	 AC Momentary Contact.	(13) - ON when switched
14		(14) - OFF when switched
15	 AC Maintained Contact.	(15) - OPEN=OFF / CLOSED=ON
16		(16) - OPEN=ON / CLOSED=OFF
17		(17) - OPEN=no action / CLOSED=ON
18		(18) - OPEN=no action / CLOSED=OFF
19		(19) - OPEN=ON / CLOSED=no action
20		(20) - OPEN=OFF / CLOSED=no action
21 (Default)	 Rectified AC Pulse. Current for Indicator LEDs. NOTE: Non-LED switches are also compatible with this configuration.	(21) - Positive=OFF / Negative=ON
22		(22) - Positive=ON / Negative=OFF
23	 Rectified AC Pulse. No current for Indicator LEDs. NOTE: LED switches will not function properly with this configuration.	(23) - Positive=OFF / Negative=ON

Table 1. Switch Hardware Type