
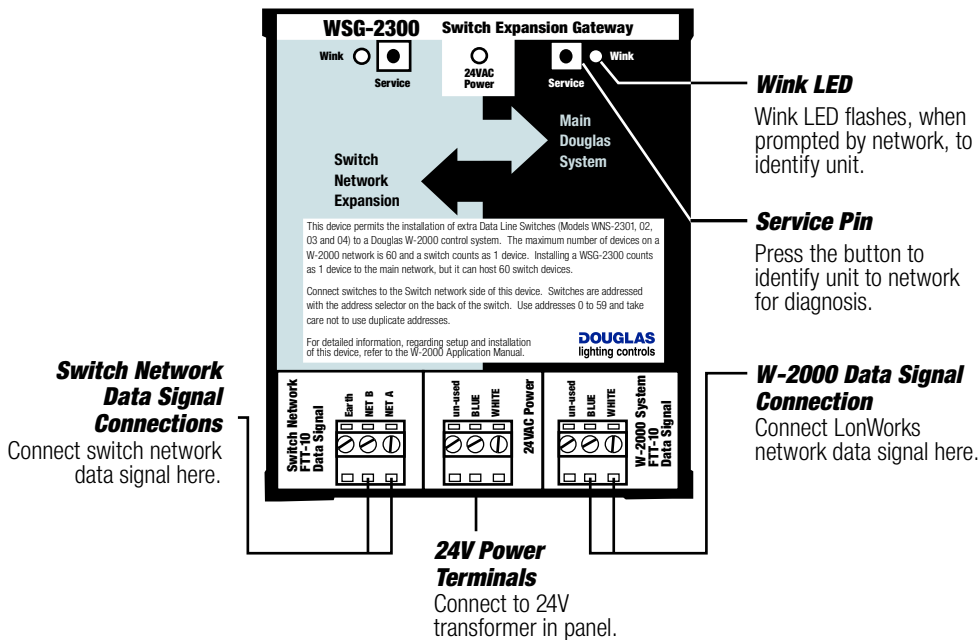


	PART No.	DESCRIPTION	SPECIFICATION
	<p>WSG-2300 Data Line Switch Hub</p>	<ul style="list-style-type: none"> Up to 60 WNS-23xx switch modules can exist in a LonWorks network segment. The WSG-2300 is an interface that allows these modules to be treated as one device by the WNP-2150 Network Manager. A maximum of 12 switch hubs can be connected to a WNP-2150 network (total of 720 switches). Switch modules assigned with the same address setting will operate in parallel. 	<p>Power</p> <ul style="list-style-type: none"> 24VAC, 100mA. <p>Outputs</p> <ul style="list-style-type: none"> Data signals of both the switch network and the main Douglas system use standard LonTalk transceiver, FTT-10 (78kbs) type. Wiring type to be twisted pair, unshielded, #16 AWG; Belden #8471. Connections are not polarity sensitive. <p>Environment</p> <ul style="list-style-type: none"> Indoors, stationary, non-vibrating, non-corrosive atmosphere and non-condensing humidity.

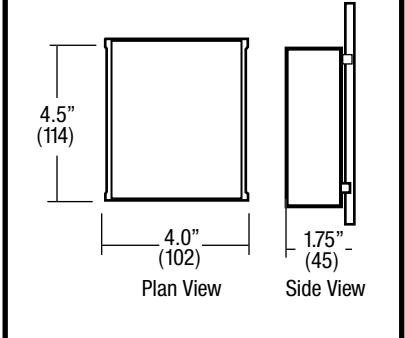
- Ambient temp: -0° to + 120°F (-15°C to +50°C).

WSG-2300 Switch Expansion Gateway



DIMENSIONS & MOUNTING

- Mount to 35mm DIN rail installed in relay panel.
- Unit supplied with DIN rail.



**WNS-2300 Setup
(Using the WNP-2150 Network Manager)**

- Using the WNP-2150 web browser, select 'System/Devices' from the Main Menu. A list of network devices will display.
- Select the WSG-2300 from the list, then select the LEARN button.
 - Follow the instructions as they appear on your screen.
 - LEARNing the switch hub will force it to tabulate a list of all connected data line switches.
 - Each individual switch will be shown as an input to the WSG-2300.
- Assign each switch connected to the 'Switch Network Data Signal' a unique address using the rotary dial on the back of the switch.

**Programming a switch connected to a
WSG-2300.**

- Select 'Groups/Program Inputs' from the WNP-2150 menu.
- Select the panel that the WSG-2300 is installed in.
 - The input list for that panel will appear, showing the switch hub and all connected switch modules each as an INTERFACE.
 - The WNP-2150 Network Manager will automatically assign each switch with a default name and number.
 - The name of the switch will be 'New_Input' followed by two numbers.
 - The first number is the switch address setting, and the second is the number of buttons available on that particular switch. For example: The second button of a three button switch with address setting 1 would be listed as: 'New_Input1.2'. Select the switch input that you wish to program, then Select EDIT.
- Assign the switch a name (preferably the same name as on switch button's label).
- Select the relay group to be triggered by the switch from the 'GROUP' menu.
- Select the switch devices output function (usually default ON/OFF setting) from FUNCTION. (Hardware type need not be set).
- Save settings.

Repeat steps these steps for all other switch buttons.