



Project Name: _____
 Part Number: _____ Date: _____

Features

- 2-button, 4-button, and Dimmer & 1-button wall switch stations
- Connects via Dialog 2-wire, non-polarized data bus
- Factory configured and labeled
- Plug 'N Control® out-of-the-box



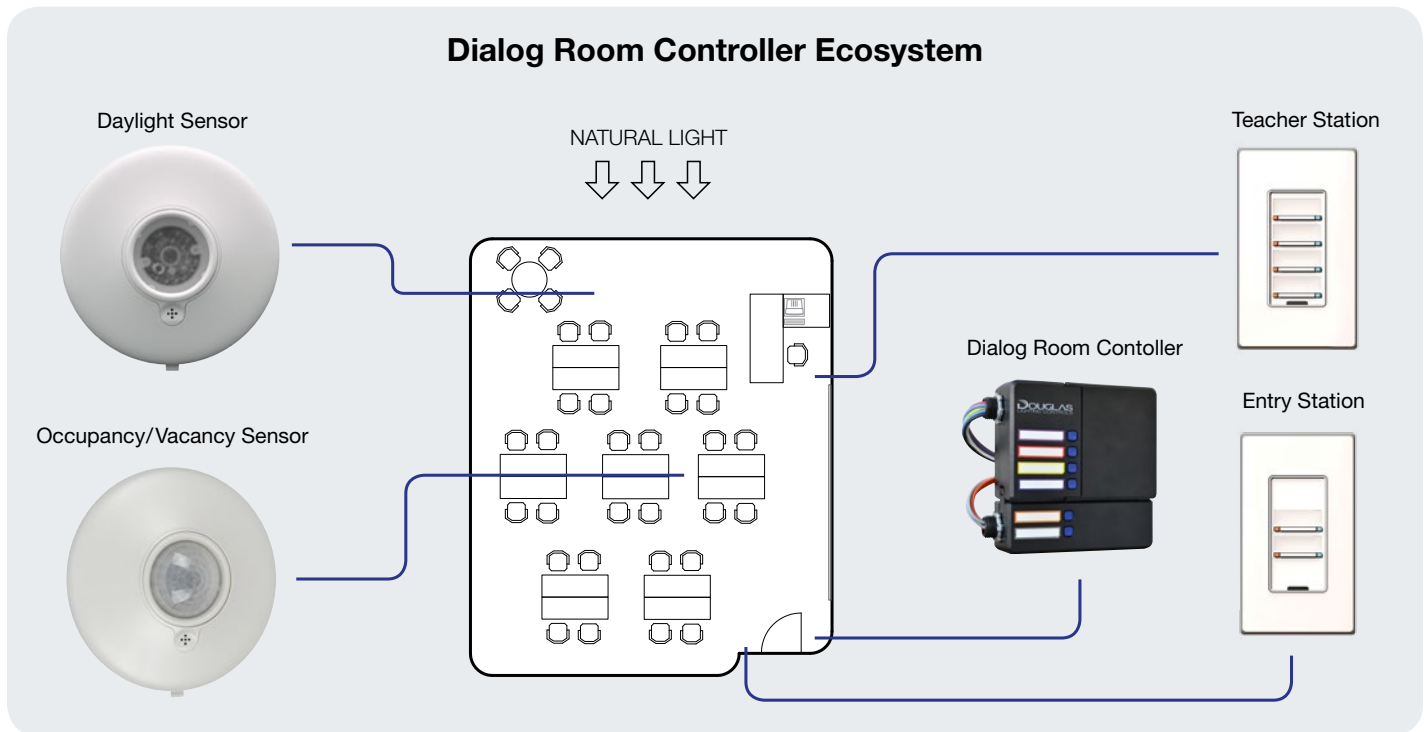
ASHRAE 90.1 Compliant

Dialog Room Controller Wall Switch Stations are digitally controlled switches that send control commands to the Dialog Room Controller through the Dialog 2-wire (#18/2), low voltage, non-polarized power and data bus. These attractive switches are factory configured and labelled for specific Dialog Room Controller Kits to make for true Plug 'N Control Out-of-the-Box functionality. LED indicators show switch and dimming status. (Orange - ON, Blue - OFF).

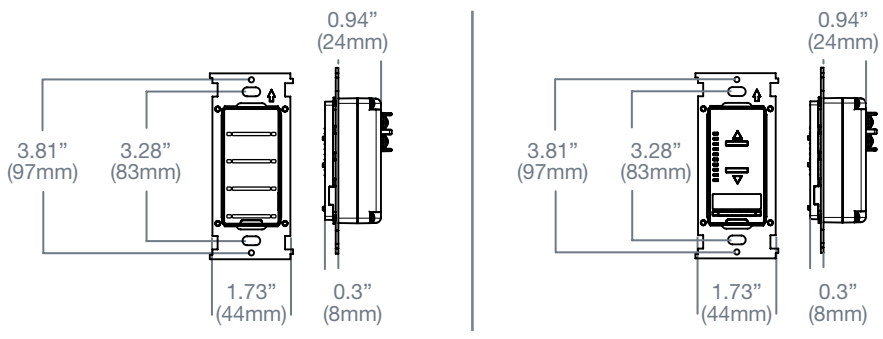
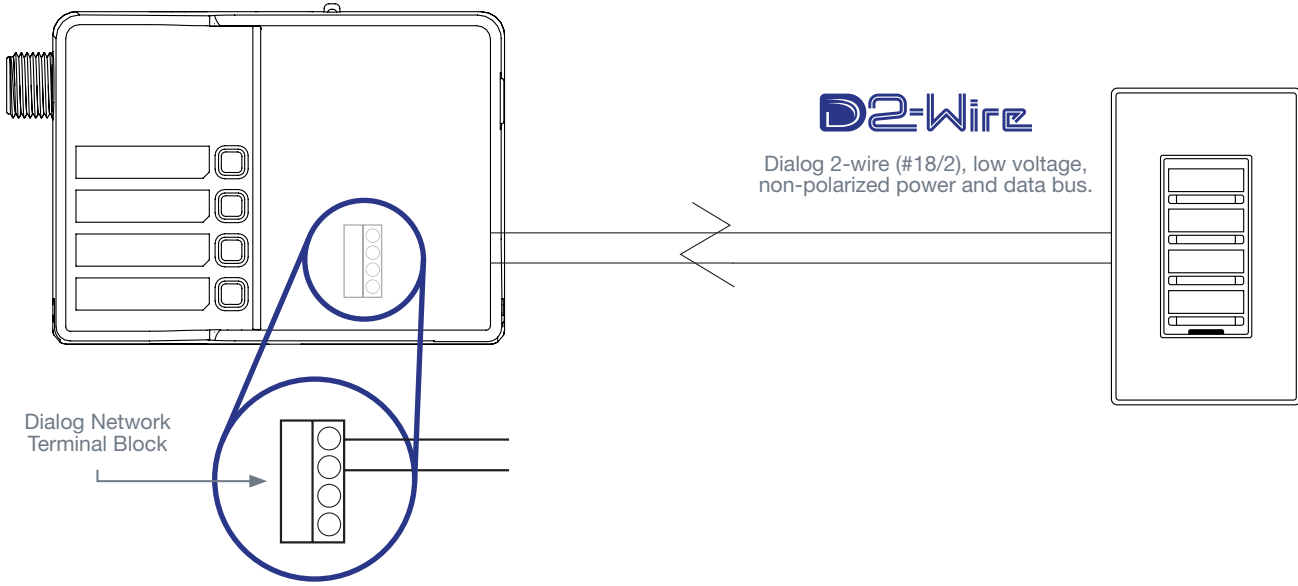
PART NUMBER	DESCRIPTION
WRC-DS-*	Dialog Room Controller Dimmer Station
WRC-ES-*	Dialog Room Controller Entry Station
WRC-OF-ES*	Dialog Room Controller Office Entry Station
WRC-OF-*	Dialog Room Controller Office Station
WRC-TS-1-*	Dialog Room Controller Teacher Switch Station

(White screwless faceplates are included with Dialog Room Controller Kits)

*placeholder for programming code

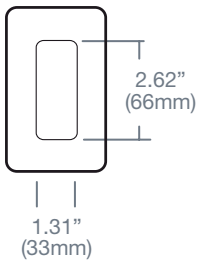


DIALOG ROOM CONTROLLER



SCREWLESS FACEPLATES

PLAIN VIEW



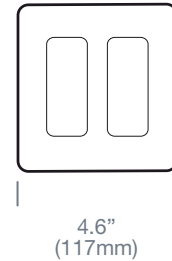
SIDE VIEW



1-GANG



2-GANG



FUNCTIONALITY	<ul style="list-style-type: none"> Factory configured for ON/OFF, pre-set, and dimming control
CURRENT DRAW	<ul style="list-style-type: none"> 3mA
POWER REQUIREMENTS	<ul style="list-style-type: none"> Powered by Dialog 2-wire, non-polarized low voltage data bus
ENVIRONMENT	<ul style="list-style-type: none"> 14°F to 140°F (-10°C to +60°C) Stationary, non-vibrating, non-corrosive atmosphere and non-condensing humidity
WARRANTY	<ul style="list-style-type: none"> 1 year