



<b>Project Name:</b> _____
<b>Part Number:</b> _____ <b>Date:</b> _____

**Features**

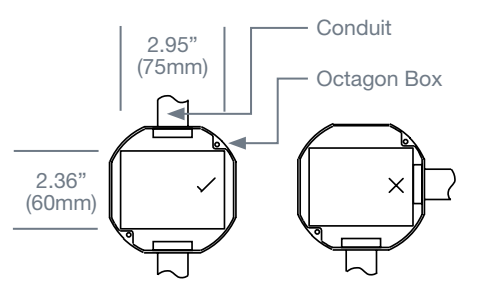
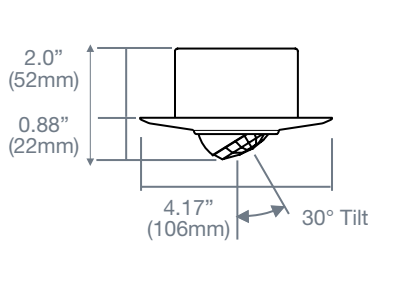
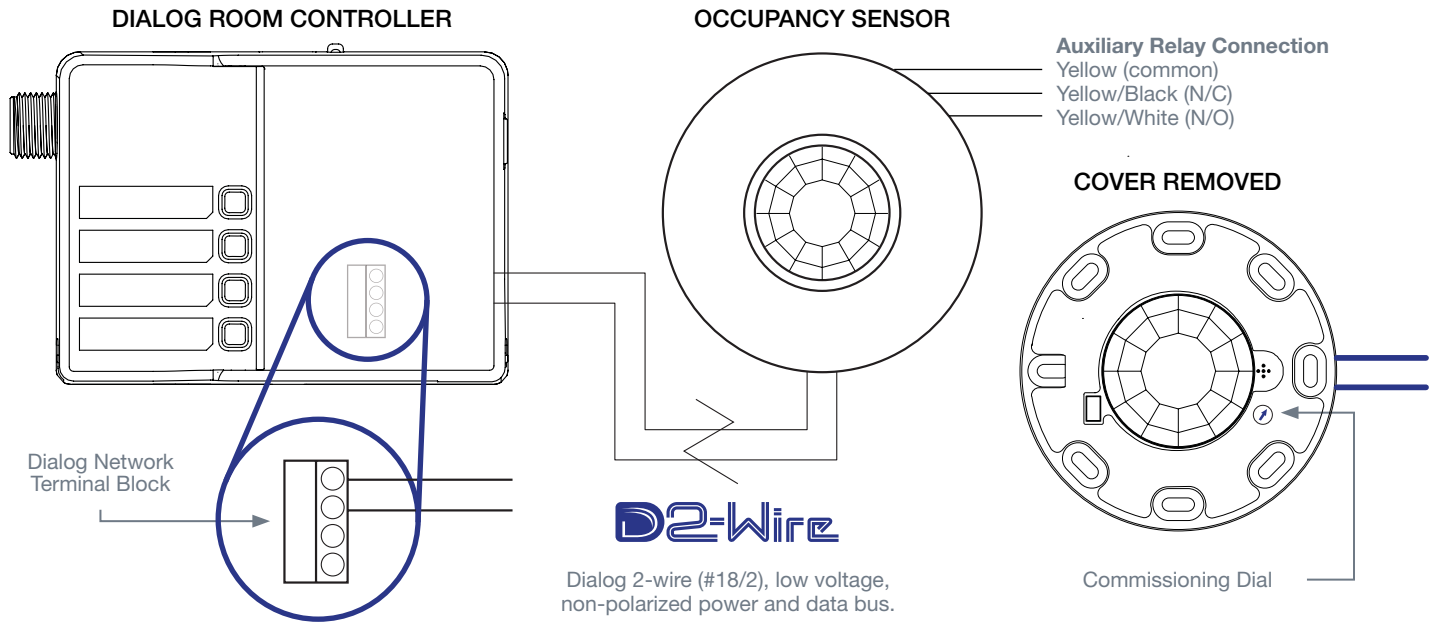
- Dual Technology (ADI-Voice® & PIR)
- Low Profile
- 30° Tilt Lens
- Auxiliary Relay
- Configuration Dial
- Plug 'N Control® out-of-the-box



ASHRAE 90.1 Compliant

The Dual Technology (ADI-voice and Passive Infrared) Occupancy or Vacancy Ceiling Sensors for Dialog® Room Controller kits provide the lowest profile ceiling sensors with 360° of coverage to turn lights ON or OFF based on occupancy. A tilting lens helps direct the sensor to or away from specific areas and the on-board timer adjustment can be set for delays from 3 seconds to 40 minutes. Smart Sense technology allows lights to be switched ON through motion or voice for up to 4 minutes after an unwanted OFF. The sensor includes an auxiliary relay for control of HVAC or BAS systems. Plug 'N Control ready, the sensor connects to the Dialog Room Controller via our simple 2-wire, non-polarized low voltage (18/2 AWG) data/power bus, minimizing commissioning time.

PART NUMBER	DESCRIPTION
WORSDG1-R-T	Dual Tech Occupancy Sensor Std Lens with Aux Relay
WORSDG1-R-T-A	Dual Tech Occupancy Sensor Std Lens with Aux Relay Room A Type
WVRSDG1-R-T-A	Dual Tech Vacancy Sensor Std Lens with Aux Relay Room A Type
WORSDG1-R-T-B	Dual Tech Occupancy Sensor Std Lenswith Aux Relay Room B Type
WVRSDG1-R-T-B	Dual Tech Vacancy Sensor Std Lens with Aux Relay Room B Type
WVRSDG1-R-T	Dual Tech Vacancy Sensor Std Lens with Aux Relay
WVRSDG1-R-T-AE	Dual Tech Vacancy Sensor Std Lens with Aux Relay Room A Type, Emergency
WVRSDG1-R-T-BE	Dual Tech Vacancy Sensor Std Lens with Aux Relay Room B Type, Emergency
WORXDG1-R-T	Dual Tech Occupancy Sensor Xtd Lens with Aux Relay
WORXDG1-R-T-A	Dual Tech Occupancy Sensor Xtd Lens with Aux Relay Room A Type
WVRXDG1-R-T-A	Dual Tech Vacancy Sensor Xtd Lens with Aux Relay Room A Type
WORXDG1-R-T-B	Dual Tech Occupancy Sensor Xtd Lens with Aux Relay Room B Type
WVRXDG1-R-T-B	Dual Tech Vacancy Sensor Xtd Lens with Aux Relay Room B Type
WVRXDG1-R-T	Dual Tech Vacancy Sensor Xtd Lens with Aux Relay
WVRXDG1-R-T-AE	Dual Tech Vacancy Sensor Xtd Lens with Aux Relay Room A Type, Emergency
WVRXDG1-R-T-BE	Dual Tech Vacancy Sensor Xtd Lens with Aux Relay Room B Type, Emergency

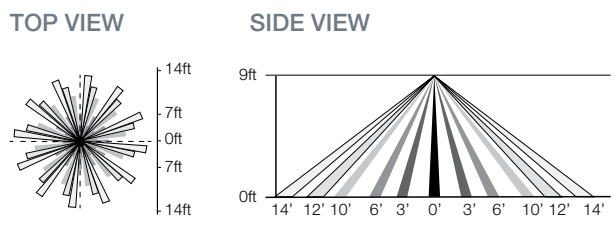


Dialog Ceiling Mount Sensors will fit a standard (2-1/8" deep) octagon box. The can also be attached with the included mounting ring. For octagon box installations, conduits should be attached to the sides with the larger wiring space.

**LENS RANGE AND COVERAGE PATTERNS**

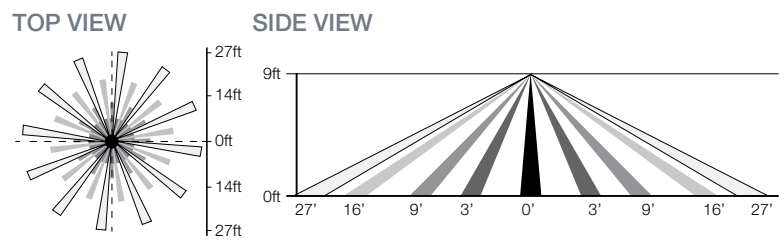
**Standard Range Lens (S)**

- Use is to detect hand movements (desk)
- Designed for a mounting height of 7-15ft



**Extended Range Lens (X)**

- Use to detect walking motion (open spaces)
- Designed for a mounting height of 7-15ft



<b>FUNCTIONALITY</b>	<ul style="list-style-type: none"> <li>• Occupancy (Auto ON/Auto OFF)</li> <li>• Vacancy (Manual ON/Auto OFF)</li> <li>• Proprietary ADI-Voice &amp; Passive Infrared</li> <li>• Timer Factory Setting: 10 minutes</li> <li>• Timer Range: 3 seconds to 40 minutes</li> <li>• Smart Sense: min. 15seconds, max. 4 minutes</li> </ul>
<b>CURRENT DRAW</b>	<ul style="list-style-type: none"> <li>• 25mA</li> </ul>
<b>POWER REQUIREMENTS</b>	<ul style="list-style-type: none"> <li>• Powered by Dialog 2-wire, non-polarized low voltage data bus</li> </ul>
<b>ENVIRONMENT</b>	<ul style="list-style-type: none"> <li>• 14°F to 140°F (-10°C to +60°C)</li> <li>• Stationary, non-vibrating, non-corrosive atmosphere and non-condensing humidity</li> </ul>
<b>WARRANTY</b>	<ul style="list-style-type: none"> <li>• 1 year</li> </ul>

\*Patent Pending      Subject to change without notice.      Rev. 4/26/17