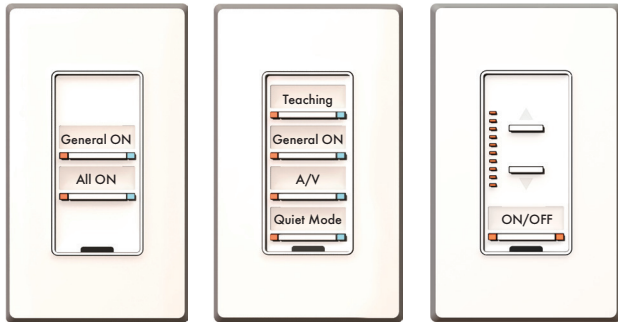


Switch Stations

Dialog Room Controller



Project Name: _____

Part Number: _____ Date: _____

Features

- 2-button, 4-button, and Dimmer & ON/OFF wall switch stations
- Power and Communication via Dialog 2-wire, non-polarized low voltage data bus
- Factory configured and labelled for Dialog Room Controller kits
- Plug 'N Control™ Out-of-The Box

Dialog Room Controller Wall Switch Stations are digitally controlled switches that communicate with the Dialog Room Controller through the Dialog 2-wire, non-polarized low voltage (18/2) data bus. These attractive switches are factory configured and labelled for specific Dialog Room Controller Kits to make for true Plug 'N Control™ Out-of-the Box functionality. LED indicators show switch and dimming status. (Orange - ON, Blue - OFF).

Part Number	Description
WRC-DS-*	DRC Dimmer Station
WRC-ES-*	DRC Entry Station
WRC-OF-ES*	DRC Office Entry Station
WRC-OF-*	DRC Office Station
WRC-TS-1-*	DRC Teacher Switch Station

(White screwless faceplates are included with Dialog Room Controller Kits)

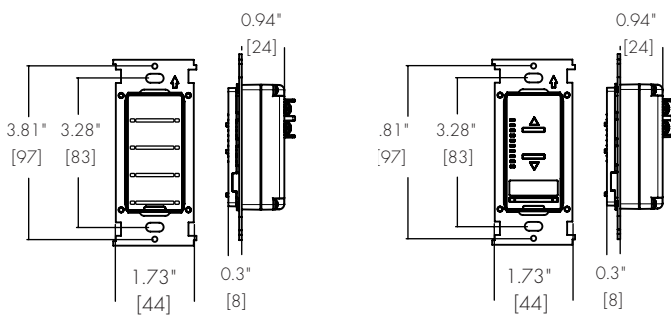
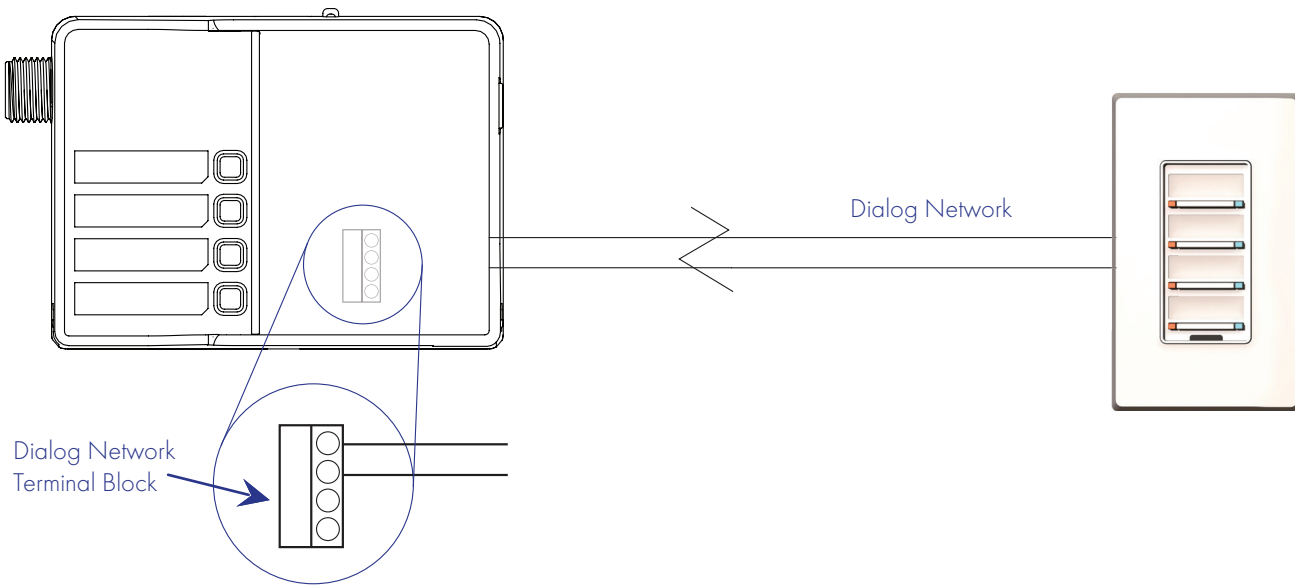
*placeholder for programming details

Switch Stations

Dialog Room Controller

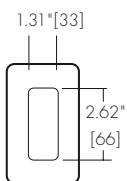
Functionality	Factory configured for ON/OFF, pre-set, and dimming control
Current Draw	3mA
Power Requirements	Powered by Dialog 2-wire, non-polarized low voltage data bus
Environment	14°F to 140°F (-10°C to +60°C) Stationary, non-vibrating, non-corrosive atmosphere and non-condensing humidity
Warranty	1 year

Dialog Room Controller



Screwless Faceplates

Plain View



Side View



1-Gang



2-Gang

