


	PART No.	DESCRIPTION	SPECIFICATION
	<p>WDB-3314</p>	<ul style="list-style-type: none"> Dimming Controller for 0-10V ballast/LED drivers Ballasts/LED drivers can be controlled by the same dimmer when grouped together Four output channels with sinking up to 100mA per output channel Dimmer output is controlled by connecting it to the Dialog data signal and using the DIP switches to set the output address For projects that require ON/OFF control for the same addresses as the dimmer unit, use a relay driver or relay module set to the same address. 	<p>Power</p> <ul style="list-style-type: none"> Signal draw: 2 mA. <p>Communication</p> <ul style="list-style-type: none"> Dialog Data Signal is required for communication to the Dialog network Set the device's major address (0-63) with the DIP switch bank on the unit. The 4 dimming outputs each assume the minor addresses ##.1, ##.2, ##.3 and ##.4. <p>0-10V Outputs</p> <ul style="list-style-type: none"> Four 0-10V output channels The output channels are designed for standard 0-10V fluorescent ballasts control and/or standard 0-10V LED drivers. Each output channel is designed for sinking control only, up to 100mA <p>Environment</p> <ul style="list-style-type: none"> Indoors, stationary, non-vibrating, non-corrosive atmosphere & non-condensing humidity. Ambient temp: -5°F to +120° F (-15° C to +50° C). <p>Notes</p> <ul style="list-style-type: none"> The maximum number of ballasts/drivers per channel equals: 100mA divided by current (mA) of the 0-10V control wire The maximum wire length ballast/driver to WDB-3314 300 ft.

WDB-3314
Data line 0-10V Dimming Controller

Unit installed within relay panel. Set addresses with DIP switches.

Data Signal

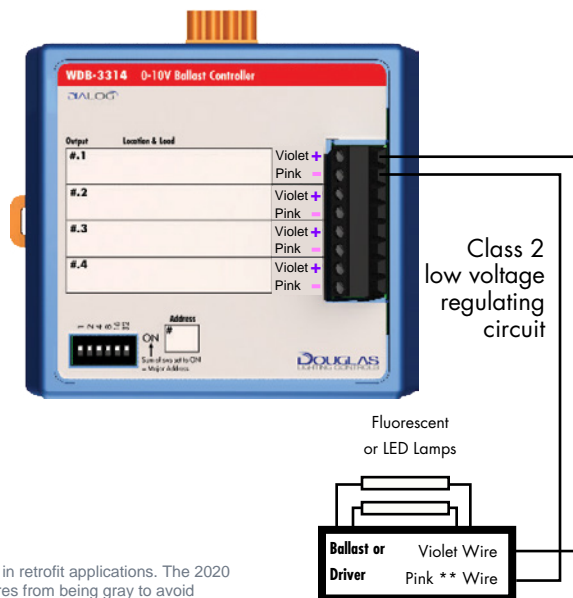
Dialog data signal 2mA

0-10V Outputs

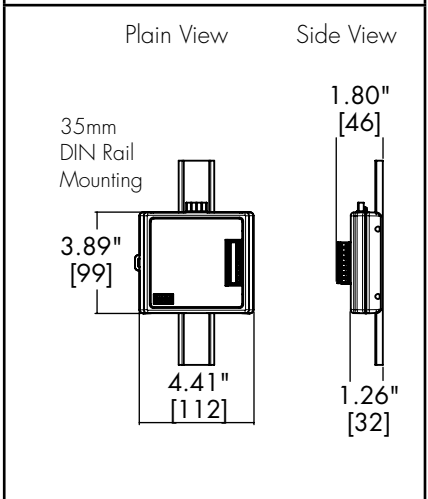
- FOUR, 0-10V Dimming channels
- Linear Response
- Connects to standard 0-10V fluorescent dimmable ballasts and/or 0-10V LED drivers

Output Address

- Addresses are organized by major and minor address.
- The DIP switch sets the major address, the minor address is preset as shown on the output device.



DIMENSIONS & MOUNTING



** This wire/terminal may be gray on older products or in retrofit applications. The 2020 edition of the NEC prohibits field-connected control wires from being gray to avoid confusion with gray 277V neutral wires. Effective January 1, 2022, 0-10V signal wires will use purple and pink insulation.

Rev. 3/27/20