

# DIALOG®

## ROOM CONTROLLER

Dialog® Room Controller is a versatile solution for stand-alone or networked lighting control applications. Douglas Lighting Controls® brings industry leading controls experience to provide you with the flexibility, value, and engineering expertise that you demand. The Dialog Room Controller, manages classrooms, offices, conference rooms or small rooms to meet local and national lighting requirements such as ASHRAE 90.1 (2010), California Title 24 (2013).

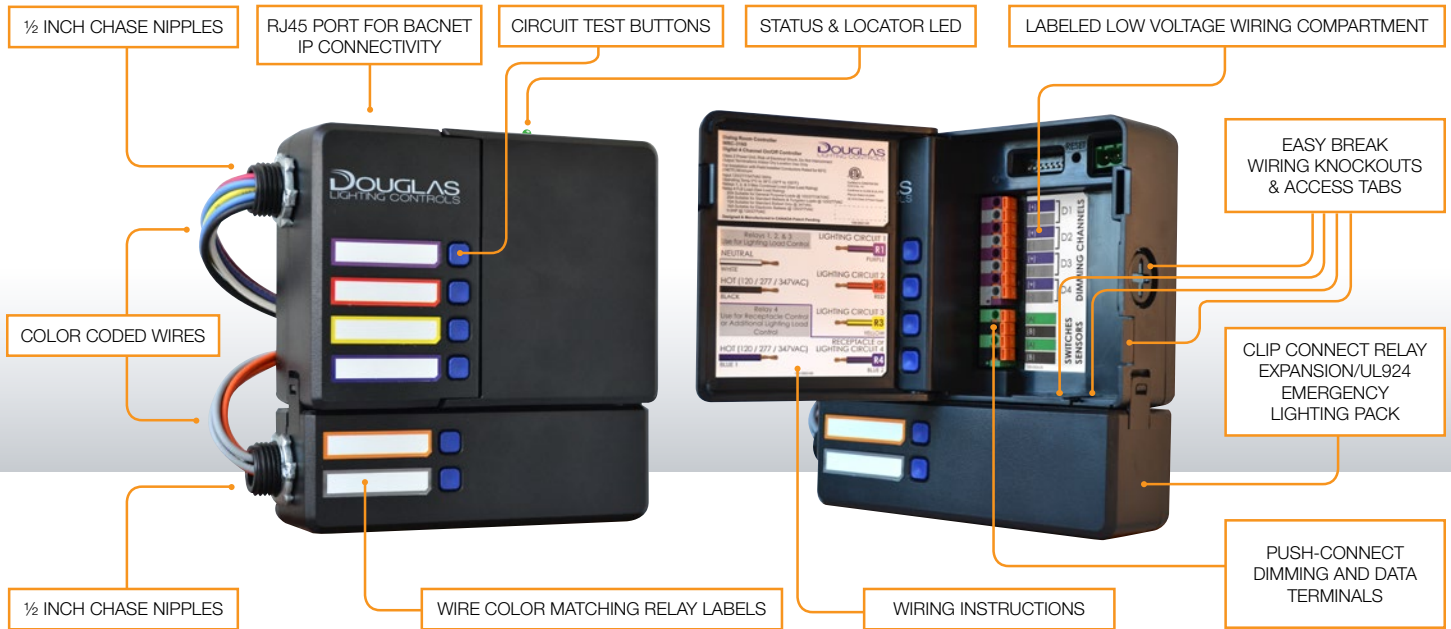
The Dialog Room Controller has two components – the Room Controller and the UL924 Relay Expansion Pack. The Room Controller is the main device, which includes four relays, four independent dimming channels and connectivity to a Douglas Lighting Controls Dialog or BACnet network. The Relay Expansion Pack provides two additional relays that are certified for emergency lighting operation or can be used for additional lighting loads. It can be easily added by clipping it to the bottom of the room controller and connecting to the appropriate loads.

SIMPLIFIED LIGHTING CONTROL SOLUTIONS



ASHRAE 90.1-2010

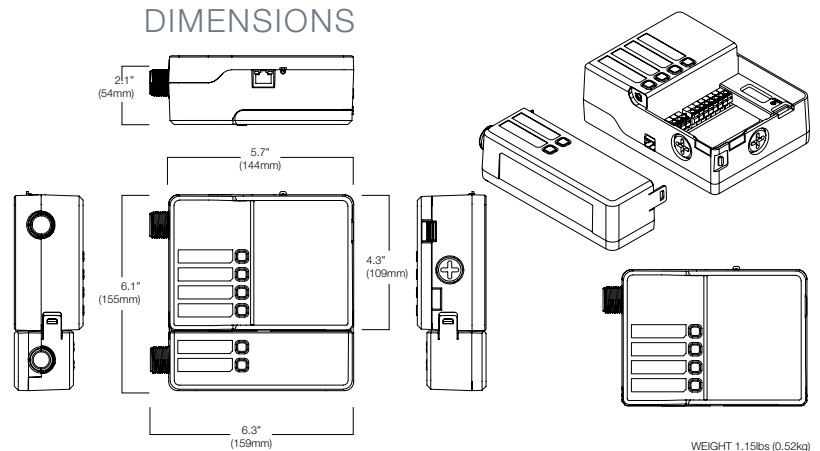
## FEATURES



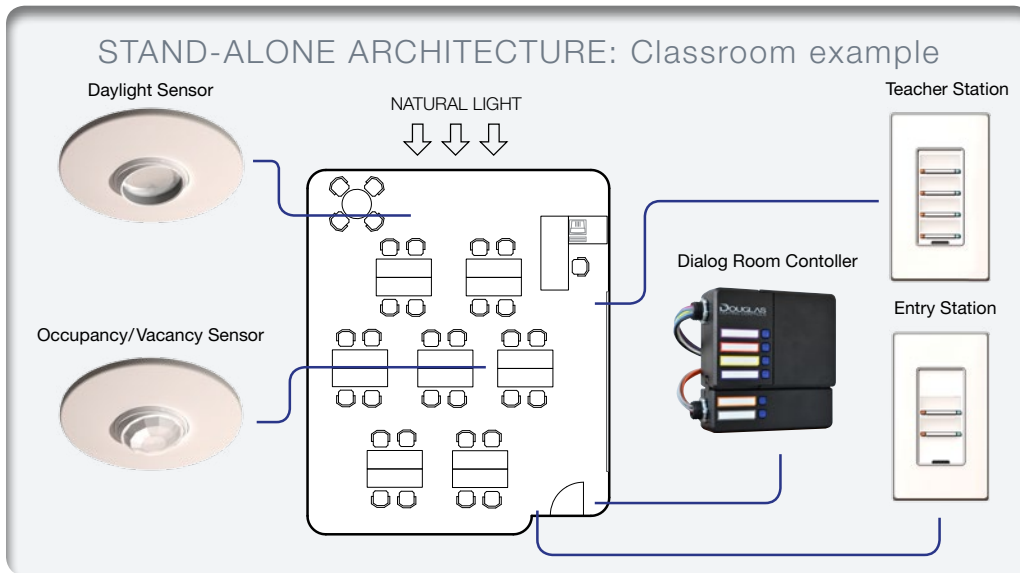
- Configured "kits" for specific room design and lighting control
- Plug 'N Control up to 6 different loads (lighting, receptacle, emergency lighting)
- Plug 'N Control up to 4 dimming channels independent of lighting loads
- Wiring verification via on-board test buttons
- On-device color coded labels and wiring instructions

- Installation directly to junction box
- Low cost, simple to install, polarity neutral 2-wire network
- Networkable with Dialog or BACnet IP
- UL and CSA certified
- UL924 certified for emergency lighting

Dialog Room Controller is designed for easy installation with simple no polarity 2 wire control wiring. The units are available in pre-configured "rooms" that arrive to you fully commissioned – just Plug 'N Control™ your room! Kits can include the Room Controller, the UL924 Expansion Pack, occupancy/vacancy sensors, daylight sensors, and switch stations based on the application. The Dialog Room Controller can also be used in a centralized Dialog system to create a globally controlled network that is faster to install, requires less long wire/conduit runs, and provides room-by-room testing before complete system start-up. All wires and connectors are color coded for quick identification and time saving completion of the installation.



For product ordering information please see website.

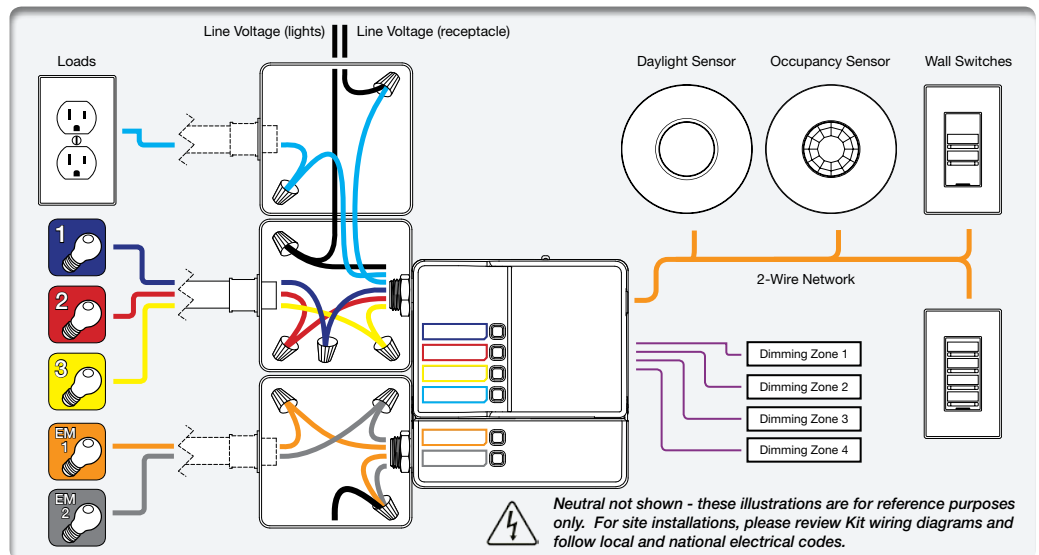


## FUNCTIONALITY

- Lighting control (including emergency lighting)
- Receptacle control
- Closed loop dimming
- Manual control
- Control up to six loads (lights, receptacle, emergency lights)
- Control up to four 0-10v dimming zones (independent of light zones)
- Demand response ready

## SIMPLE INSTALLATION

- Configured "kits" for Plug 'N Control right out of the box
- ½" chase nipples for junction box installation
- Color coded line voltage wires
- Color coded labels that match wire colors
- Push-connect low voltage terminal blocks
- Factory programmed for out-of-the-box Plug 'N Control™
- Polarity neutral, 2-wire (#18AWG) low voltage network



604-873-2797 | [www.douglaslightingcontrols.com](http://www.douglaslightingcontrols.com) | [lighting@douglaslightingcontrols.com](mailto:lighting@douglaslightingcontrols.com)