

Application Note

Load Shedding Strategies for Dialog systems

INTRODUCTION

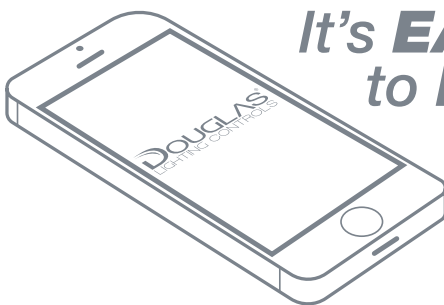
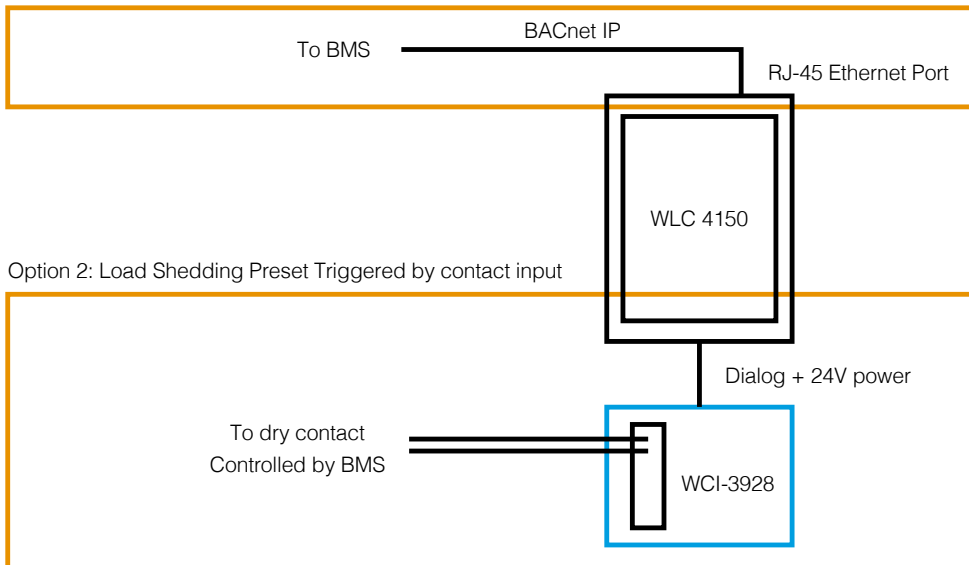
Douglas lighting controls offers the ability to implement Load Shedding/Demand response in both distributed and centralized configurations. When needed, the system can reduce the energy consumed by lighting and plug loads to a predefined level.

APPLICATION

One or more predefined scenes for energy saving mode can be created using global or local presets. See instructions for the WLC-4150 for how to configure this.

The energy saving presets can then be triggered by either a BACnet command (WLC-4150-C or -E), or by a contact input (all models of WLC-4150).

Option 1: Load Shedding Preset Triggered by BACnet message (WLC-4150-E and WLC4150-C only)



*It's EASY
to REACH US...*

DOUGLAS LIGHTING CONTROLS

3605 Gilmore Way Suite 280,
Burnaby, BC V5G 4X5, Canada

CUSTOMER SERVICE:

877-873-2797 ext. 0 (English)
514-342-6581 (French)

TECHNICAL SUPPORT:

877-873-2797 ext. 1 (English)
514-342-6581 (French)

WEBSITE: douglaslightingcontrols.com

EMAIL: lighting@douglaslightingcontrols.com

Dialog® is a Registered Trademark of Douglas Lighting Controls. August 2016 – Subject to change without notice. LIT#: W4BM070820