
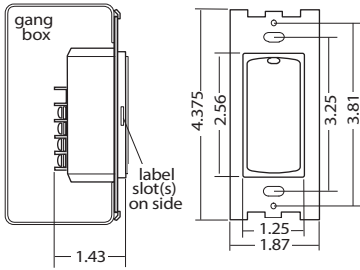


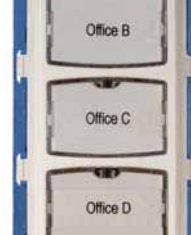




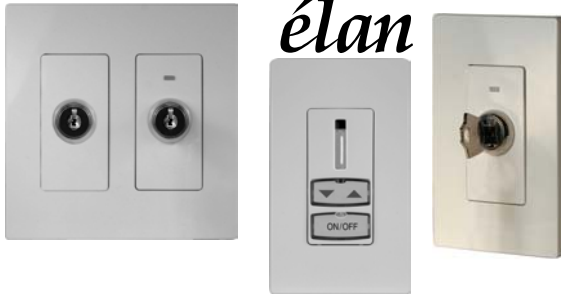
élan

- Douglas élan series 2-wire momentary rocker switches are flexible and attractive switches designed to meet a variety of switching requirements. Modules can be created to form compact, low profile switch stations.
- a 4-button switches can fit into a single gang plate. If additional switches are required, use multi-gang plates with the appropriately-sized switch modules. A complete range of stock cover plates is available in stainless steel or white 'screwless' plastic for all sizes up to 5 gangs.
- Connect Douglas élan series 2-wire switches directly to Douglas relays or to Douglas switch inputs.

PART No.	DESCRIPTION	DIMENSIONS & MOUNTING
 <p>WR-8601 1-button momentary rocker switch</p>	<ul style="list-style-type: none"> ▪ LED indicating rocker switch to control Douglas relays and Douglas switch inputs. Toggle between ON and OFF. ▪ LEDs show status of the connected relays or inputs. Red indicates ON status (any of group's relays are ON) and green indicates OFF status (all of the group's relays are OFF). ▪ Each élan series 2-wire switch Module can control up to 8 relays, which connect to the switch's red terminal. (Sw rating: 3.0A). For wire length to relays, refer to wiring chart on section Components 2.1 ▪ Each switch module has screw terminals for the signal (red) to each switch and a common 24Vac power (white). ▪ Each switch consumes 3.3mA of power. 	<ul style="list-style-type: none"> ▪ Switch module available in 1-, 2-, 3- or 4-button configurations. All have the same dimensions, as shown below. ▪ Mount to standard gang box. Switch modules can be ganged for larger stations. 
 <p>WR-8602 2-button momentary rocker switch</p>	<ul style="list-style-type: none"> ▪ The WR-8601, WR-8602, WR-8603 and WR-8604 Switch Modules all mount into a standard single-gang back box. Switch modules can be ganged together to make larger switch stations. ▪ Switches can be custom labeled. ▪ Wall box and plate mounting bracket come as one piece. Switch module has clip tabs for mounting screwless plates. 	<ul style="list-style-type: none"> ▪ Stainless steel plate mounting 
 <p>WR-8603 3-button momentary rocker switch</p>		<ul style="list-style-type: none"> ▪ Plastic screwless plate mounting 
 <p>WR-8604 4-button momentary rocker switch</p>		

'élan series' Specialty Switches

Technical Data



élan

- Connect *élan series* 2-wire accessory key switches directly to any model of Douglas 2-wire relay or connect to switch inputs on Douglas control devices (relay scanners, photocell override, etc.)
- Connect the *élan series* Dimming Ballast Controller directly to 0-10V dimming ballasts for ON/OFF and dimming level control.
- If your application requires a specialized switch that is not shown, please contact Douglas and describe your requirements.

'élan series' Key Switch Module

Technical Data

	PART No.	DESCRIPTION	DIMENSIONS
	WRK-8611	<ul style="list-style-type: none"> ▪ Key switch for Douglas relays and switch inputs. Turn key to one side for ON and to other side for OFF. ▪ The WRK-8611 can control up to 4 relays (Sw rating: 1.5A). Check wire length chart for wire runs greater than 150 feet (50m). ▪ The key switch has an LED indicator to show the status of the connected relay or input. Red LED indicates ON and green locator LED indicates OFF. 	<ul style="list-style-type: none"> ▪ Module is nickel tumbler mechanism mounted into a white plastic frame.

'élan series' Maintained Tumbler Key Switch Module

Technical Data

	PART No.	DESCRIPTION	DIMENSIONS
	WRK-8621 Maintained Form C Contacts	<ul style="list-style-type: none"> ▪ Maintained tumbler key switch. ▪ The WRK-8192 switch is rated for 24V / 1.5A. Do not connect to Douglas 2-wire relays. Use to signal other systems and devices. 	<ul style="list-style-type: none"> ▪ Module is nickel tumbler mechanism mounted into a white plastic frame.

'élan series' Switch Station Lock Out Module

Technical Data

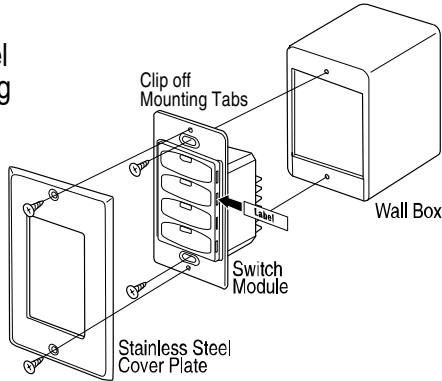
	PART No.	DESCRIPTION	DIMENSIONS
	WRK-8692 Switch shown in lockout position.	<ul style="list-style-type: none"> ▪ Use to lock out entire Douglas Switch Station by restricting power to station. Station can have a maximum of 8 Douglas 2-wire relay switches. ▪ Do not connect direct to Douglas 2-wire relays. Only use to control power to Douglas 2-wire switch stations. 	<ul style="list-style-type: none"> ▪ Module is nickel tumbler mechanism mounted into a white plastic frame.

'élan series' 0-10V Dimming Ballast Controllers

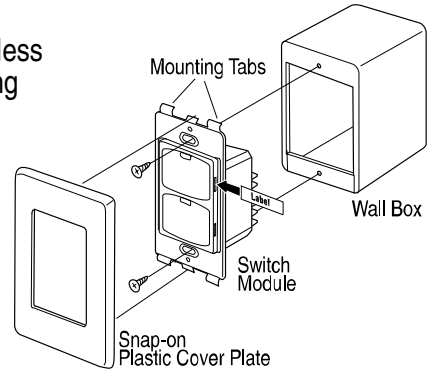
Technical Data

WPN-5821 WPN-5822	PART No.	DESCRIPTION	DIMENSIONS
	WPN-5821 Dimming Ballast Controller WPN-5822 2-Channel Dimming Ballast Controller	<ul style="list-style-type: none"> ▪ Can operate up to 50 dimming ballasts. ▪ Dimming level controls with LED indicating dimming level. The WPN-5821 also has an ON/OFF control. ▪ Connect to low voltage control wires of the ballast and to 24VAC from panel. ▪ Compatible with dimming ballasts using the 0-10V control protocol. ▪ The WPN-5822 operates 2 channels of dimming ballasts. 	<ul style="list-style-type: none"> ▪ Mount to standard gang box.

Stainless steel plate mounting



plastic screwless plate mounting



DESCRIPTION

- WN-97400 series stainless steel cover plates. c/w screws.

DESCRIPTION

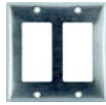
- WN-80300-SW series screwless plastic cover plates.
- White, semi-gloss finish.
- Snaps onto *élan series* switch frame.

PART No's.

WN-97401 (1-gang stainless steel)



WN-97402 (2-gang stainless steel)



WN-97403 (3-gang stainless steel)



WN-97404 (4-gang stainless steel)



WN-97405 (5-gang stainless steel)



PART No's.

WN-80301-SW (1-gang screwless plastic)



WN-80309-SW (2-gang screwless plastic)



WN-80311-SW (3-gang screwless plastic)



WN-80312-SW (4-gang screwless plastic)



WN-80321-SW (5-gang screwless plastic)



WN-80200 (blank module)



DIMENSIONS

