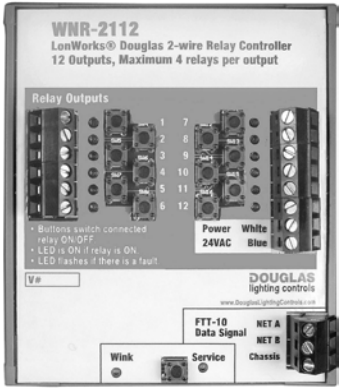
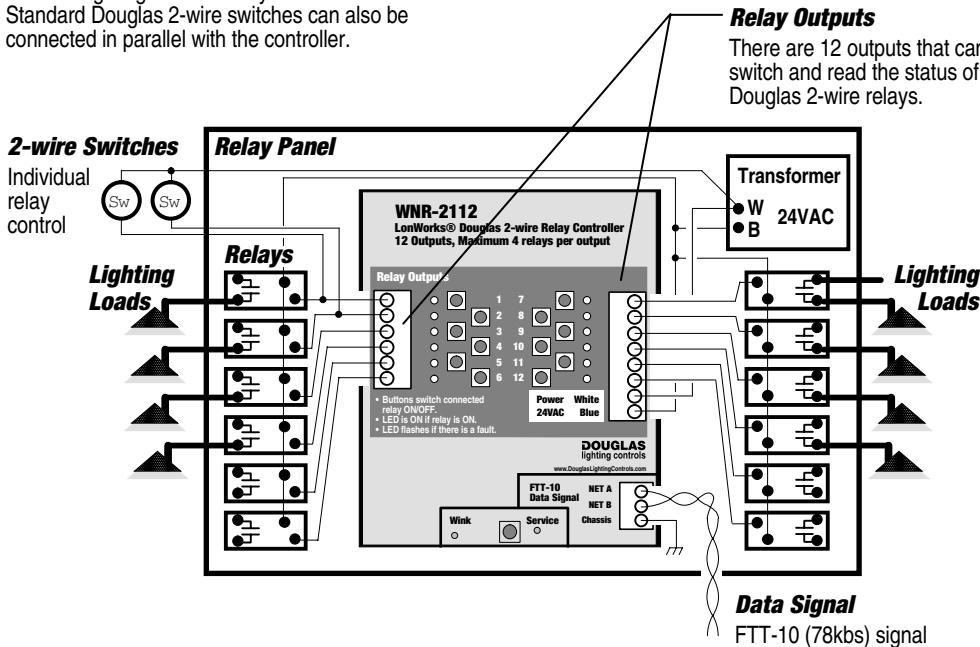


	PART No.	DESCRIPTION	SPECIFICATION
	<p>WNR-2112</p>	<ul style="list-style-type: none"> ▪ Douglas 2-wire relays are commonly used for lighting control. To integrate lighting control into a network that uses LonWorks® technology, the WNR-2112 Relay Controller provides a simple solution. ▪ The WNR-2112 permits ON / OFF control and ON / OFF status readout of all models of Douglas 2-wire latching relays via a LonWorks network. ▪ For convenience, an ON / OFF button and status led is provided for each relay control point on the WNR-2112. The unit does not have to be connected to a network for the buttons and leds to function. ▪ The WNR-2112 uses the basic command of SNVT_switch. To use the feature rich command set of SNVT_scene use the WRS-2224 / WNX-2624 scanner/node combination. 	<p>Inputs</p> <ul style="list-style-type: none"> ▪ Power: 24VAC, 50mA Note: current draw does not include power required to switch relays. ▪ Data Signal: FTT-10 (78kbs) Wiring method dependent upon network installation. Refer to LonWorks network wiring documentation. <p>Outputs</p> <ul style="list-style-type: none"> ▪ 12 Relay outputs compatible with all models of Douglas 2-wire relay. ▪ Maximum number of relays per output: 4 ▪ Relay outputs switch sequentially to limit relay switching power requirement. ▪ If relay is remote from the WNR-2112, the max #18 AWG wire length from the controller output to the relay(s) is: 1 relay -600 m (2000 ft) 2 relays -450 m (1500 ft) 3 relays -300 m (1000 ft) 4 relays -150 m (500 ft) <p>Environment</p> <ul style="list-style-type: none"> ▪ Indoors, stationary, non-vibrating, non-corrosive atmosphere and non-condensing humidity. ▪ Ambient operating temperature: -0°F to +120F (-15°C to +50°C)

WNR-2112 - Douglas Relay Controller

Install relays & controller in panel.
Connect relays and FTT-10 Data Signal to controller.
Connect lighting loads to relays.
Standard Douglas 2-wire switches can also be connected in parallel with the controller.



LonWorks NETWORK DATA

This information is provided for the benefit of system integrators who are integrating this devices into a system. To help with integration, software plug-ins for the LNS system are available.

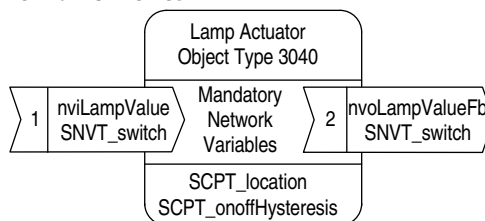
Functional Profiles

- Node Object Type: 0
- Lamp Actuator Type: 3040 (x12)

Network Variables

- NvlLampValue is used to trigger the relay ON or OFF, based on hysteresis configuration property (SCPT_onoffHysteresis)
- NvoLampValueFb is used to report changes in relay status.

LonMark® Profiles - WNR-2112



DIMENSIONS & MOUNTING

