



Project Name: _____
Part Number: _____ Date: _____

Features

- Plug 'N Control® up to 6 different loads (lighting, receptacle, emergency lighting)
- Plug 'N Control up to 4 dimming channels independent of lighting loads
- Installation directly to junction box
- Low cost, simple to install, polarity neutral 2-wire network
- Networkable with Dialog or BACnet IP



ASHRAE 90.1 Compliant

Dialog® Room Controller is a stand-alone, distributed lighting control solution for offices, classrooms and defined spaces. The device incorporates 2 sections; the Dialog Room Controller and the Dialog Room Controller UL924 / CSA C22.2 No. 141 Relay Expansion Pack.

The Dialog Room Controller's thoughtful design eliminates wiring complications found in current lighting control systems by mounting directly to junction boxes with the incorporated 1/2 inch chase nipples. We know that wiring devices is not always easy, but with Dialog Room Controller there's an easier way. Color coded labels that correspond with wires and wiring information inside the wiring compartment clearly identify proper connections.

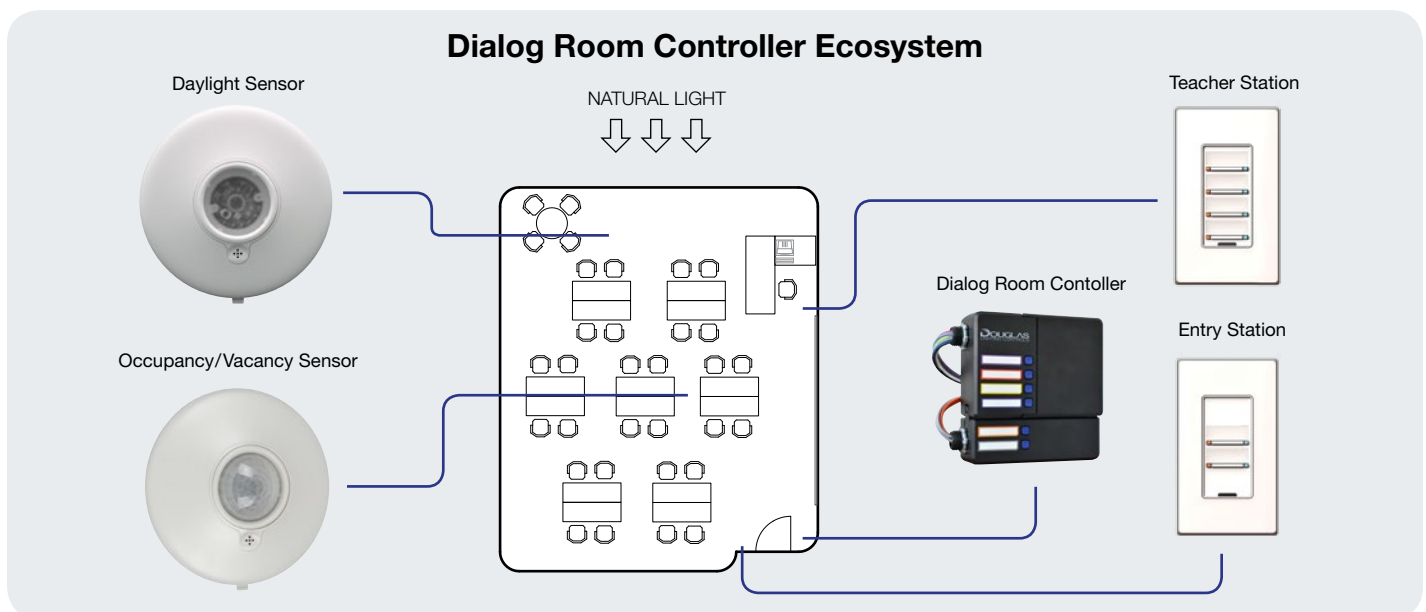
Out-of-the-box ease of installation and operation through Plug 'n Control functionality means once the system is connected, your room is under control. With an easy installation process and the removal of commissioning challenges, the Dialog Room Controller is up and running quickly, and operating effectively to meet the requirements of ASHRAE 90.1 and California Title 24 installations.

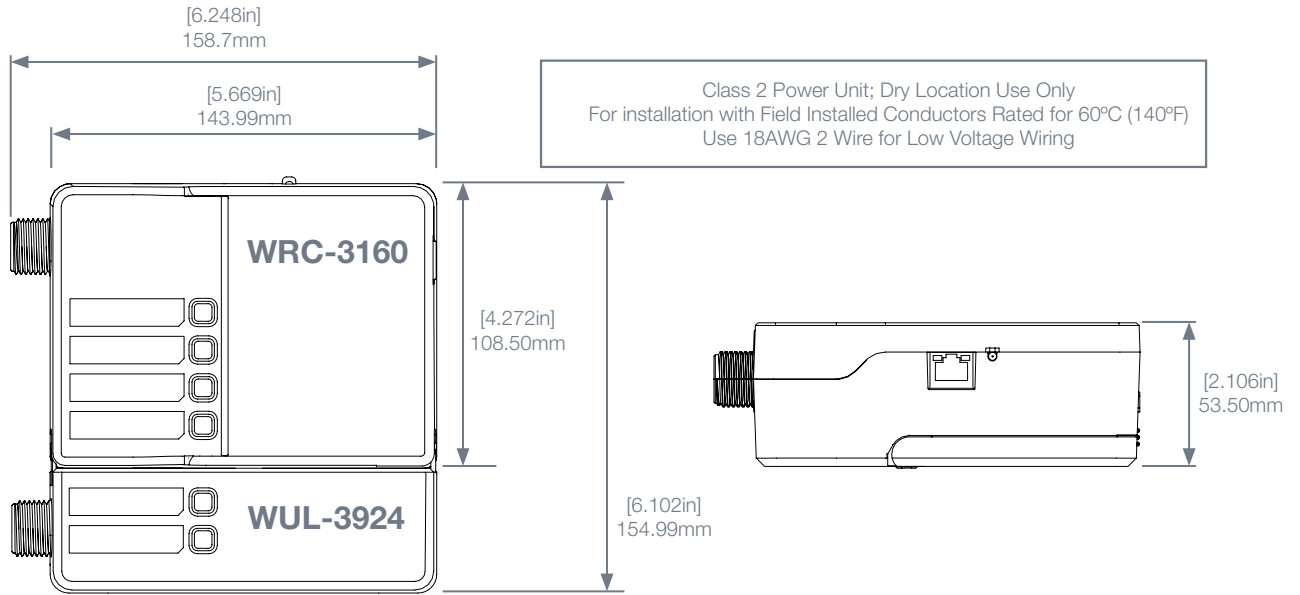
Dialog Room Controller is part of a complete room control packaged "kit" that includes the Dialog Room Controller, Occupancy and Photo Sensors, and Wall Switches. The peripheral devices connect to the Room Controller through the easy to use, low cost, non-polarized, 2-wire (18/2) Dialog network.

Designated emergency lights are controlled by the UL924 / CSA C22.2 No. 141 Relay Expansion Pack. Under normal conditions these lights operate to the lighting requirements. In the event of power failure, emergency light mode is activated. Emergency lights operate at full brightness; wall switch and dimming functionality is disabled (an emergency/backup power source is required).

The Dialog Room Controller system can also be used in a centralized, fully networked Dialog system. Select the appropriate Kits, connect to the Dialog network controller and facility wide control capability is enabled. Advantages include global control and scheduling, faster installations, less long wire/conduit runs, and room-by-room commissioning before centralized network connections are completed.

PART NUMBER	DESCRIPTION
WRC-3160	Room Controller: Four relays, four independent dimming channels, connectivity to a Dialog or BACnet network
WUL-3924	UL924 Relay Expansion Pack





PART NUMBER: WRC-3160		PART NUMBER: WUL-3924	
INPUT	<ul style="list-style-type: none"> 120/277/347Vac, 20A Max., 60Hz 	INPUT	<ul style="list-style-type: none"> 120/277/347Vac, 20A Max., 60Hz
OUTPUT	<ul style="list-style-type: none"> 20A General Use 120/277/347VAC 20A Standard Ballasts & Tungsten Loads 120/277VAC 15A Standard Ballasts 347VAC 16A Electronic Ballasts 120/277VAC 0.5HP 120/277VAC 	OUTPUT	<ul style="list-style-type: none"> 20A General Use 120/277/347VAC 20A Standard Ballasts & Tungsten Loads 120/277VAC 15A Standard Ballasts 347VAC 16A Electronic Ballasts 120/277VAC 0.5HP 120/277VAC
RELAYS	<ul style="list-style-type: none"> 4 (#1, 2, 3 combined @ 20A; #4@20A) 	RELAYS	<ul style="list-style-type: none"> (20A each)
DIMMING	<ul style="list-style-type: none"> 4 - 0-10V Class 2 independent dimming channel 100 mA sinking current per channel 	APPROVALS	<ul style="list-style-type: none"> UL924, UL2043, UL508, UL1310 CSA c22.2 NO. 14 & No. 141
APPROVALS	<ul style="list-style-type: none"> UL2043, UL508, UL1310 CSA c22.2 NO. 14 	WEIGHT	<ul style="list-style-type: none"> 7oz. (200g)
WEIGHT	<ul style="list-style-type: none"> 18oz. (520g.) 	MOUNTING	<ul style="list-style-type: none"> Clips and connects to WRC-3160 Mounts to junction box via ½" chase nipple
MOUNTING	<ul style="list-style-type: none"> Mounts to junction box via ½" chase nipple 	ENVIRONMENT	
<ul style="list-style-type: none"> Indoors, stationary, non-vibrating, non-corrosive atmosphere and non-condensing humidity Ambient Operation Temperature: 32°F to 100°F (0°C to 38°C) Plenum Rated 			

For a complete overview of the Dialog Room Controller including wiring illustrations, kit specifications and ordering information please see the Dialog Room Controller Reference Guide.

*Patent Pending Subject to change without notice. CS-WRC-3160/WUL-3924 150408 Rev. 4/24/17

Toll Free: 877-873-2797 or Direct 604-873-2797 | lighting@douglaslightingcontrols.com | www.douglaslightingcontrols.com