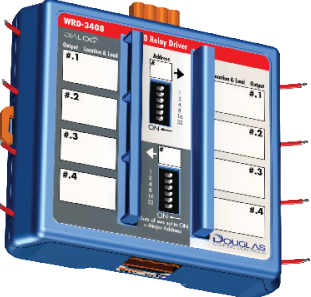


	PART No.	DESCRIPTION	SPECIFICATION
	<p>WRD-3408 Relay driver, 8 outputs, DIP set</p>	<ul style="list-style-type: none"> To control standard Douglas relays with the Dialog system, use WRD-3408 relay driver. Dialog relay drivers are compatible with all models of Douglas relays. <ol style="list-style-type: none"> Install in relay panels and connect to relays. Connect data signal to driver. Set addresses with DIP switches built into driver. WRD-3408 driver has 8 wires, each wire is a unique output for Douglas relays. The relay driver can be signaled to switch the connected relay ON or OFF. The relay driver continuously senses the state of the connected relays and reports the status to the LCU. 	<p>Power</p> <ul style="list-style-type: none"> Power from Data signal Class 2 Low Voltage device. Power rating does not include power used to switch relays. <p>Communication</p> <ul style="list-style-type: none"> Dialog data signal, polarity insensitive. Data signal draw: 3mA. <p>Outputs</p> <ul style="list-style-type: none"> 8 Douglas relay outputs. Connect a maximum of 2 relays to each output. <p>Environment</p> <ul style="list-style-type: none"> Indoors, stationary, non-vibrating, non-corrosive atmosphere & non-condensing humidity. Ambient operating temperature: +5°F to +120° F (-15° C to +50° C).

WRD-3408 Relay Driver, 8 Outputs

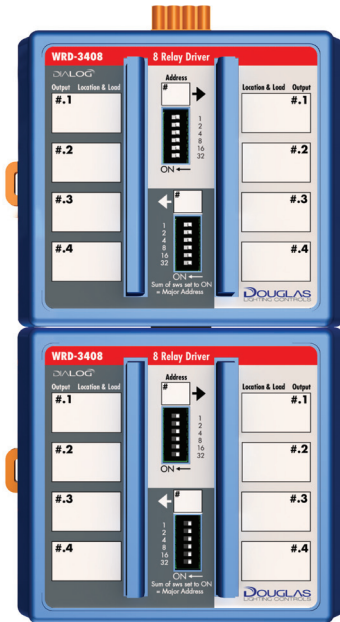
Install relay driver in panel. Set addresses with DIP switches on unit.

Address DIP Switches

- 2 sets of address DIP switches. One set for the left 4 outputs and the other for the right 4 outputs.
- Set addresses such that they are unique from all others. WLC-3150 will detect and warn of duplicate addresses.

Output Address

- Addresses organized by major and minor addresses.
- DIP switch sets the major address.
- one output wire for each of the 4 minor addresses.



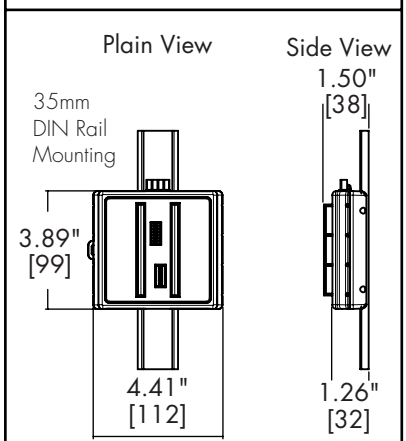
Outputs

- 8 relay outputs.
- 1 relay per output. 2 relays maximum can be connected to an output, but they will switch together.
- Adjacent units can plug into each other to minimize wiring.

Data Signal

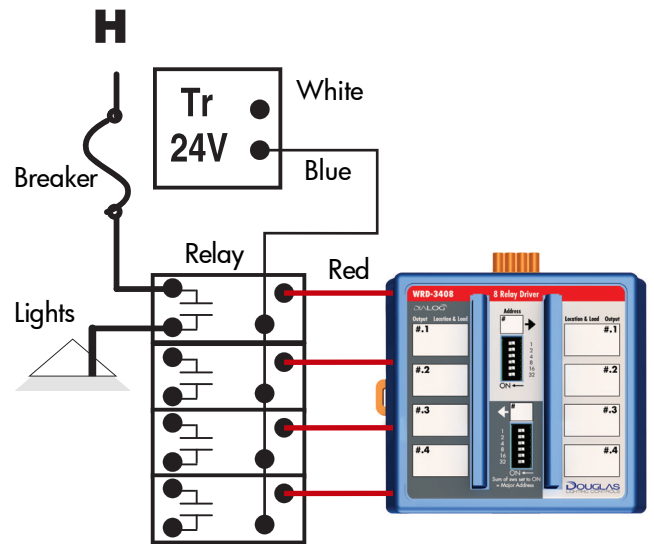
The source connection for the Dialog data signal, 3mA supply.

DIMENSIONS & MOUNTING



INSTALLATION & CONNECTIONS

- Install WRD-3408 into Douglas relay panels.
- The Relay Drivers can be connected to all models of Douglas relays. Connect the red relay control wire to the relay.
- Connect the local 24VAC white from the transformer to the relay driver. This provides the power required to switch the relay.
- Connect the Dialog data signal to the relay driver.
- The WRD-3408 relay driver has 2 output addresses, one for the 4 relays on the left side and one for the 4 relays on the right side. Each output address is set with a DIP switch block that sets the major part of the output address.
- In most cases each output is connected to 1 Douglas relay to give it a unique output address. Up to 2 relays can be connected to an output, however they will both switch together.



MULTIPLE RELAY PANELS

- Most installations will have more than one relay panel. Network relay panels together with the Dialog data signal.
- Good wiring practice is to wire direct from one panel to the next with no interruptions in between. Data signals for Input Devices should always originate from a relay panel, not in between relay panels.

