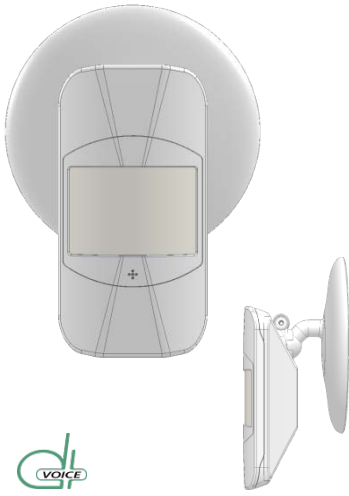


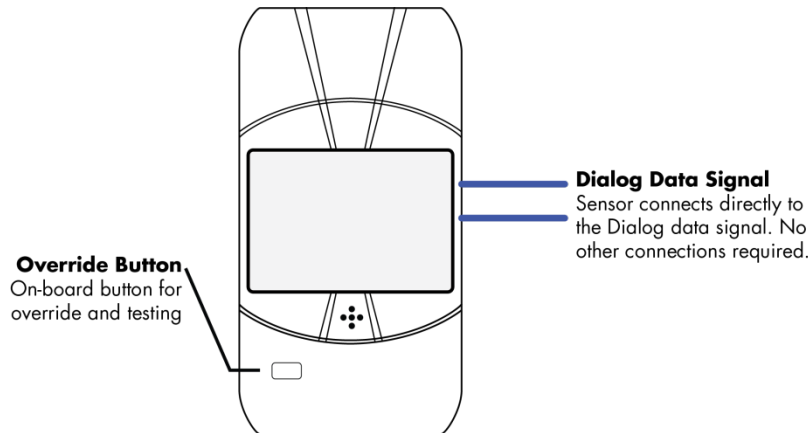
	PART No.	FEATURES	SPECIFICATION
	<p>Corner Range WOWCDG1-P-N</p>	<ul style="list-style-type: none"> The Dialog occupancy sensors use PIR and ADI-Voice technologies to determine the presence of people and perform the control actions when occupancy (or vacancy) is detected The WOW Series of sensors are designed to surface mount on a wall giving either a 90° coverage pattern The Dialog edition of this sensor gives the capability of operating and controlling directly on the Dialog bus 	<p>Communication</p> <ul style="list-style-type: none"> Dialog Data signal is the only connection required <p>Output</p> <ul style="list-style-type: none"> Action on: <ul style="list-style-type: none"> Occupancy/Unoccupancy Switch Photo Reading <p>Approvals</p> <ul style="list-style-type: none"> FCC <p>Environment</p> <ul style="list-style-type: none"> Indoors, stationary, non-vibrating, non-corrosive atmosphere and non-condensing humidity Ambient Operating Temperature: 14°F to 140°F (-10°C to 60°C) Storage Temperature: -14°F to 140°F (-25°C to 60°C)

Features

- Wall mounted occupancy sensor provides 90° coverage. Has the ability to rotate in both the horizontal and vertical axis to optimize the sensing area.
- The dual-tech sensor utilizes ADI-Voice Technology, which has advanced digital signal processing for accurate detection of human speech.
- A Self-adapting mode can be set to use both Passive Infrared (PIR) & Accurate Detection Intelligence (ADI) Voice technologies to automatically track occupancy tendencies for continuous maximizing of energy savings.
- Smart Sensing allows for an immediate return to occupied mode in the event of a false off being triggered.
- Can be programmed by the IR Setting Unit for added convenience, especially during commissioning.

Operation

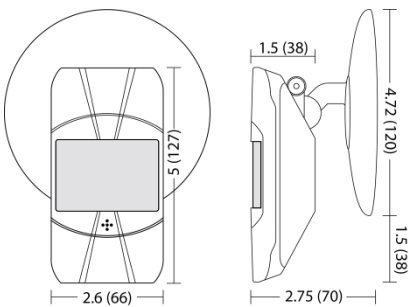
Low voltage sensors are powered by Dialog data bus. When in operation, the sensor will detect initial motion using PIR; once motion is detected the internal contact will close. The ADI-Voice is then activated to work alongside the PIR to detect occupancy.



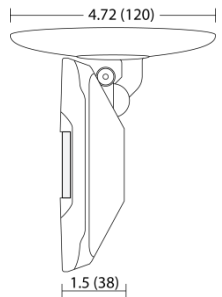
DIMENSIONS & MOUNTING

- Unit mounts into an octagon box.

Wall Mounted



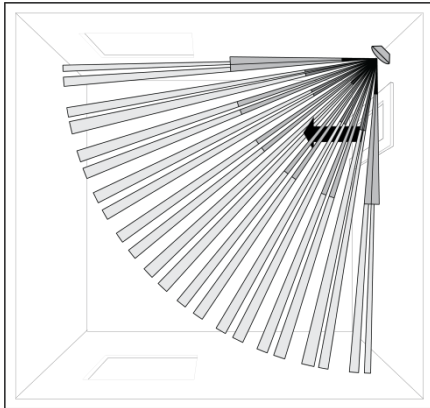
Ceiling Mounted



INSTALLATION

Installing in Smaller Room (Corner Lens)

- Locate the sensor in the corner, along the entrance door to prevent it from viewing out into the hallway.
- The sensor can be rotated, allowing it to be pointed along the entrance door and slightly downwards.
- Positioning the sensor in this manner ensures that an occupant moves across the longest detection beam upon entrance, utilizing the sensor's maximum PIR range.

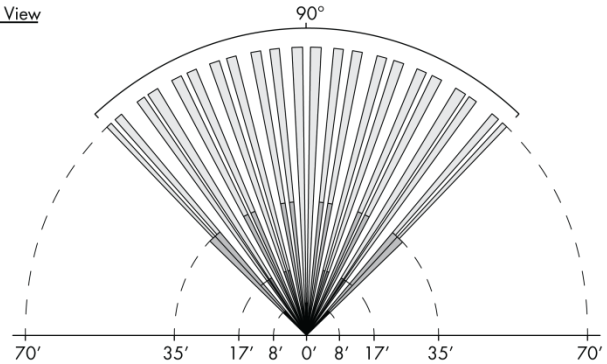


Typical Enclosed Office

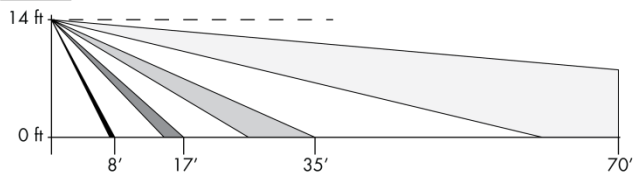
Corner Lens

- Optimal usage is to detect small motions such as hand movements
- Designed for a mounting height of up to 7-15ft
- ADI-Voice can detect around corners that PIR cannot to maintain occupancy

Top View



Side View



Wiring Instructions

The WOW Series Low Voltage sensors are equipped with #18 AWG leads. Use appropriate sized wire-nuts to connect the wires to the incoming load terminations.

Sensor Settings

Programming - IR

Programming can be done with the WIR-3110 setting unit. For more details and additional options please see the "IR Setting Unit Manual"

Detection (Dual or PIR Only)

When in operation, the sensor will detect initial motion using Passive Infrared; once motion is detected the ADI-Voice is then activated to work alongside the PIR to maintain occupancy. The ADI-Voice can be disabled on any dual tech sensors.

Automatic Timeout

By setting the timeout dial to maximum, the sensor will be put into automatic mode which will adjust the time out automatically to maximize energy savings and occupant comfort.

Smart Sensing

When vacancy occurs, sensitivity of the ADI-Voice technology transitions from maximum to zero over an adaptively determined time period, based on occupancy tendencies. During this period, ADI-Voice can turn the lights back on immediately, even with no line-of-sight to the sensor, assuring the best combination of user convenience and energy savings.

Energy consumption due to false triggers is minimized by the automatic walk-through mode. This feature turns the lights off after 3 minutes if no occupancy detection occurs in the first 30 seconds after initial turn on.

Vacancy Mode

The low voltage sensor can be selected as a vacancy (Off only) sensor. This provides additional energy savings by forcing the user to turn the lights on manually. The low voltage sensor has a built-in override input; allowing for the sensor to be operated as a vacancy sensor. For two pole sensors, it provides multi-level control capability.

Photo Sensing (-P)

When enabled, occupancy alone will not trigger the output state to on. If occupancy is detected AND there is a deficiency of natural light, the output is triggered on. An increase in natural light will not force the lights off but as the ambient light level drops the lights will turn on automatically. This feature will also limit the manual switching, ensuring the lights are not turned on if adequate light is present.

Profile

The Dialog sensor exists as three profiles in the system: a Switch, a Photocell, and an Occupancy Sensor. Each profile element can control separate control targets.

Summary of Configuration Options

Each building is unique in its lighting needs. Diversa sensors provide the user with a wide variety of configuration options to ensure each building's individual needs are met.

- Timeout 30 sec - 30 min or self adapting
- Adjustable PIR Sensitivity
- Adjustable Detect Intelligence Voice (ADI-Voice) Sensitivity
- Enable/Disable ADI-Voice
- Enable/Disable LED Indicators
- Enable/Disable Walk Through Mode
- Set parameters for light level setting upon occupancy detection

* Application and Performance Specification Information Subject to Change without Notification