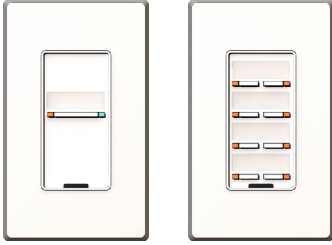
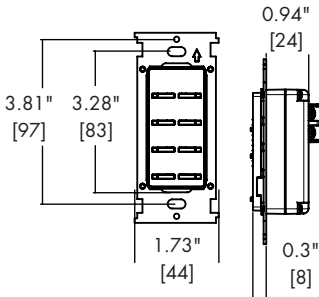



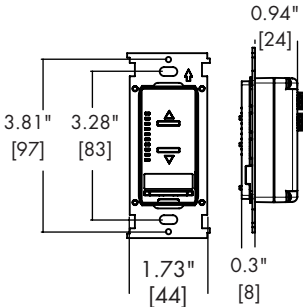
DIALOG SWITCH STATIONS

- The Dialog switch devices come in 1 to 8 button modules to provide flexible and attractive solutions for the switching of your lighting control system.
- Switch modules only require connection to the 2-wire data signal. Should a switch station require expansion, connect extra module to existing data signal. No special cat 5 connectors needed.


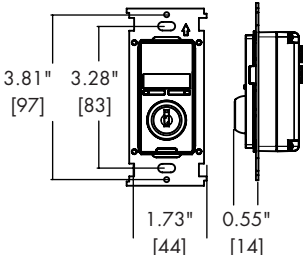
Switch modules for ON/OFF and Presets

	PART No.	DESCRIPTION	DIMENSIONS
	<p>WSW-3511 WSW-3512 WSW-3513 WSW-3514 WSW-3528</p>	<ul style="list-style-type: none"> • Dialog switches. • Connect to data signal and set the switch to target the output address or group code that is to be controlled. Use the WIR-3110 to set the output address or group code. • The switch has an LED indicator to show the status of the targeted output or group. Orange LED indicates ON and Blue LED indicates OFF. 	

Switch module for Dimmer control

	PART No.	DESCRIPTION	DIMENSIONS
	<p>WSD-3501</p>	<ul style="list-style-type: none"> • Dialog dimmer switch. • Connect to data signal and set the dimmer switch to target the output address or group code that is to be controlled. • UP/DOWN buttons control outputs that can dim up or down. LEDs along the edge show the operating level of the dimmer. • To control several dimming outputs together, target the dimmer at a group code that contains the desired outputs. 	

Switch module for Key control

	PART No.	DESCRIPTION	DIMENSIONS
	<p>WSK-3502</p>	<ul style="list-style-type: none"> • Dialog key switch. • Connect to data signal and set the key action to target the output address or group code that is being controlled. • The key can send a signal for clockwise turn and counterclockwise turn. • Typically used for ON and OFF control. • Orange LED indicates ON and Blue LED indicates OFF. 	

INSTALLATION

- Connect the 2-wire Dialog signal to the back of each switch module and install modules in standard wall boxes.
- Each switch module must have an output address or group code assigned.
- A Dialog system local network can have a total of 256 outputs and 127 group codes. A group code can host one, some or all of the output addresses. There is no limit to the number of switches that can be set to the same address or group code.
- A switch targeted at a group code requires the group code to have an existing program to function.
- A switch targeted directly to an output address requires no extra programming.

Wiring a Dialog system switch

- Connect switches to the 2 conductor data signal. No other connections required.
- The maximum one way measurement from the controller to the switch device is 1000'. Should longer lengths be needed, use WAM-3190 amplifier.
- The Dialog system switches draw 24VAC power from the 2 conductor data signal. Each switch uses 4mA of power. There is 500mA of total power available from the Dialog signal for all devices. If power is insufficient, use WAM-3190 amplifiers for additional 500mA.

Programming a Group Code

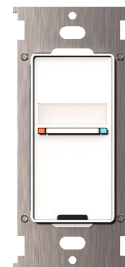
- Switches targeted directly at an output address require no programming. Switch targeted at a group code require programming with the WLC-3150.
- A push button switch can send standard action commands:
 - ON/OFF (outputs or groups)
 - Dim UP/DOWN (outputs or groups)
 - Presets 1 to 8 (groups only)
- In addition to standard action commands (for example: turn ON and set to 80% dim level), presets can also set operating modes. Modes determine how Input Devices (including switches) and outputs of the group are to behave.
- Example 1: quiet time switch: disable motion sensor for 1 hour.
- Example 2: during off hours, switch is to operate with a 30 minute timed-ON;
- Example 3: for this period of time lock output to this level and allow nothing to change it.

Dialog Signal Connection

- Simple 2 conductor connection.
- Switch can be connected to the data signal while it is live.
- Set the output's address to the switch using the WIR-3110.
 - To do more complex controls, set the switch to target a group code. Program the outputs that the group code controls using the WLC-3150.



WSD-3501
Data line dimmer and switch, 1 channel. 4mA.



WSW-3511
Data line switch - 1 gang, 1 button (1x1), iR set. Signal draw: 4mA.



WSK-3502
Data line key switch - c/w pilot light. Signal draw: 4mA.



WSW-3528
Data line switch - 1 gang, 8 buttons (4x2), iR set. Signal draw: 4mA.